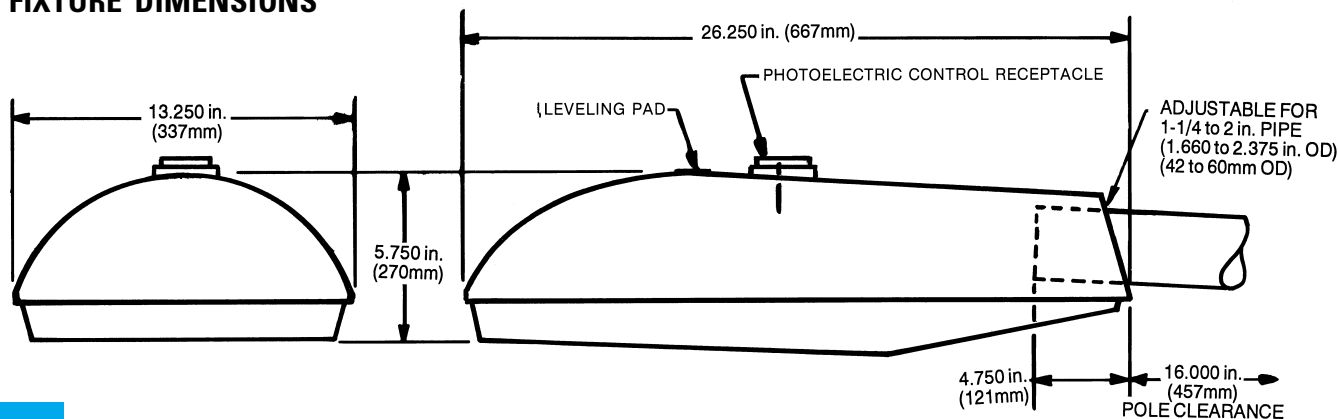


M-250R2 LUMINAIRE WITH CUTOFF OPTICS

FIXTURE DIMENSIONS



DATA

Approximate Net Weight	20-30 lbs	9-14 kgs
Effective Projected Area		
Flat Glass Unit	0.6 sq. ft. max	0.06 sq. M max
Clear Acrylic or Polycarbonate Globe Unit	1.0 sq. ft. max	0.09 sq. M max
Suggested Mounting Height	20-40 ft.	6-12 M

REFERENCES

See Page R-38 for start of Accessories.
 See Page R-42 for Explanation of Options and Other Terms Used.
 See Pole and Bracket Section Page P-2 for pole selection.

BALLAST SELECTION TABLE

Wattage	Light Source	Ballast Type/Voltage															
		60Hz											50Hz				
		Multi-volt	120	208	240	277	480	120X240	347, 120X347	240/120 PE R	220	230	220	230	240		
50	HPS	H,N	H,N	H,N	H,N	H,N	H,N	H,N	H,N	H,N	H,N	H,N	N/A	N/A	N/A	N/A	N/A
70,100,150 (55V)	HPS	A,H,N	A,G,H,M,N,P	A,G,H,M,N	A,G,H,M,N,P	A,G,H,M,N	A,G,H,M,N,P	A,G,H,M,N	A,G,H,M,N,P	A,G,H,M,N	A,G,H,M,N	A,G,H,M,N	N/A	N/A	H,M,N	H	N/A
100/150 (55V)	HPS	N/A	H,N	N/A	N/A	N/A	N/A	N/A	N/A	N/A	N/A	N/A	N/A	N/A	N/A	N/A	N/A
200, 250	HPS	A,P	A,H,N,P	A,H,N,P	A,H,N,P	A,P	A,P	A,P	A,P	A,P	A,P	A,H,N	H	H	A,H,N	H	H
100, 175	Merc	C	C,N	C	C,H,N	C	C	C	C	N/A	C,H,N	N/A	N/A	N/A	N/A	N/A	N/A
250	Merc	C	A,C,N	C	C,H,N	C	C	C	C	N/A	C,H,N	N/A	N/A	H	N/A	H	H

NOTE: N/A = Not Available
NOTE: *Not available in 120X347 volt
NOTE: **Not available in 200 watt

M2AC — SUGGESTED CATALOG ORDERING NUMBERS

Catalog Number	Wattage	Light Source	Voltage (60 Hz)	Ballast Type	Refractor Type	Photometric Distribution
M2RC07S1N2GMC3	70	HPS	120	NPF Reactor	Glass	MC3
M2RC10S1N2GMC3	100	HPS	120	NPF Reactor	Glass	MC3
M2RC15S0A2GMC3	150	HPS	120	NPF Reactor	Glass	MC3

All GE suggested catalog ordering numbers come with PE receptacle. PE control must be ordered separately. Order and install SCCL-PECTL if no PE is desired.

Multivolt ballasts can be for either 120, 208, 240, or 277 volt incoming power supply.