



# VERSAGLOW® 150 and 250 LUMINAIRE

## Low Bay, Enclosed

### APPLICATIONS

- Low mounting height 8-20 ft. (2-6 meter) applications where upright component is desired, classrooms, offices, cafeterias and storage rooms

### SPECIFICATION FEATURES

- 1598 Listed
- **Suitable For Damp Locations**
- 1598 Listed for metal halide lamps in polymeric lamp containment barriers
- CUL Listed to Canadian Standards & Codes
- Standard construction is IP52
- UV stabilized injection molded prismatic refractor for low brightness
- Die-cast aluminum ballast housing with electrocoat gray paint finish
- Primary quick disconnect for easy mounting
- Uses energy-conserving high intensity discharge lamps
- Mogul base socket -E39 standard
- Safety chain provisions for ballast housing
- Standard ambient is 40°C
- Shipped as components: Ballast, Optical, Mounting, Receptacle
- Magnapack available for ballast.
- *Pulse start system for metal halide available. See Page I-125*

### ORDERING NUMBER LOGIC

PRODUCT IDENT	WATTAGE	LIGHT SOURCE	VOLTAGE	BALLAST TYPE	AMBIENT DEG. C	OPTICAL	MOUNTING RECEPTICAL	OPTIONS
XXX	XX	X	X	X	X	XX	X	X
V1G = Versaglow 150 Luminaire	05 = 50 07 = 70 10 = 100 15 = 150 (55V)	S = HPS M = MH K = Ceramic MH P = Pulse Start MH (See pg. I-125) Note: Lamp is vertical base up. Lamp not included.	60Hz 0 = 120/208/240/277 MULTIVOLT 1 = 120 2 = 208 3 = 240 4 = 277 5 = 480 D = 347 F = 120X347 T = 220 50Hz 6 = 220 Y = 240 G = 380	See Ballast Selection Table A = Autoreg G = Mag-Reg with Grounded Socket Shell H = HPF Reactor or Lag K = Hot Restart M = Mag-Reg	4 = 40	EA = Enclosed Acrylic for V2G ES = Enclosed Advanced "ST" HID Acrylic for V2G EP = Enclosed Lexan SLX Polycarbonate for V2G TA = Acrylic Refractor for V1G TS = Advanced "ST" HID Acrylic for V1G TP = Lexan SLX Polycarbonate for V1G	1 = Ceiling (MPM-C) 2 = 3/4-in. Pendant, Rigid (MPM-3PR)* 5 = 3/4-in. Pendant, Flexible (MPM-3PF) 6 = Outlet Box Cover (MPM-OBC)  *NOTE: Flexible pendant mounting receptacle must be used if unit is not rigidly mounted or fixture will not hang straight.	B = Time Delay Automatically Switched Quartz F = Fusing Q = Non-Time Delay Automatically Switched Quartz  Note: See page I-102-114 for Accessory Index and Descriptions. Note: See page I-123-125 for explanation of Options.

### PHOTOMETRIC SELECTION TABLE

Versaglow 150			
Wattage	Light Source	Spacing Criteria	Photometric Curve
70*	MH	1.7	452589
70*	Ceramic MH	1.7	452588
100*	MH	1.8	452590
100*	Ceramic MH	1.8	452587
150*	MH	1.7	452591
50, 70, 100, 150	HPS	1.5	175764
Versaglow 250			
70*	MH	1.8	452597
70*	Ceramic MH	1.7	452599
100*	MH	1.8	452596
100*	Ceramic MH	1.8	452598
150*	MH	1.8	452595
175(COATED)	MH, P (MH)	1.6	175751
250(COATED)	MH, P (MH)	1.6	175921
70, 100, 150	HPS	1.0	175715
250	HPS	1.6	175752

\*Medium base socket. (Lamp not included)

Note: For "EP" & "TP" Lexan, SLX, Polycarbonate lens reduce light levels by 10%

Note: See page T-34 for Alternative lens material explanation

Note: Lexan SLX is a registered Trademark of GE Plastic

# VERSAGLOW® 150 and 250 LUMINAIRE

Low Bay, Enclosed

VERSAGLOW INDOOR LIGHTING

## REFERENCES

See Page I-102 for start of Accessories.  
 See Page I-116 for Component Ordering Logic.  
 See Pages I-123-125 for Explanation of Options and Other Terms Used.

## DATA

Approximate Net Weight Ballast and Optical	lbs 22-36	kgs 10-16
---	--------------	--------------

## BALLAST SELECTION TABLE

### V1G VERSAGLOW 150

Wattage	Light Source	Ballast Type / Voltage									
		60HZ					50HZ				
		Multivolt	120, 208 240, 277 480	347	120 x 347	220	220	230	240	380	
50	HPS	H,K	H,K	H,K	H,K	N/A	N/A	N/A	N/A	N/A	
70	HPS	H,K	G,H**,K,M	G,H,K	G,H,K	N/A	N/A	M	N/A	N/A	
100	HPS	H,K	G,H**,K,M	G,H,K	G,H,K	N/A	H,M	H,M	H	N/A	
150(55V)	HPS	H,K	G,H**,K,M	G,H,K	G,H,K	A	H	H	H	N/A	
70*	Cer, MH	H	H	H	N/A	N/A	N/A	N/A	N/A	N/A	
100*	Cer, MH	H	H	H	N/A	N/A	N/A	N/A	N/A	N/A	
70*	MH	H	H	H	N/A	N/A	N/A	N/A	N/A	N/A	
100*	MH	H	H	H	N/A	N/A	N/A	N/A	N/A	N/A	

## BALLAST SELECTION TABLE

### V2G VERSAGLOW 250

Wattage	Light Source	Ballast Type / Voltage									
		60HZ					50HZ				
		Multivolt	120, 208 240, 277 480	347	120 x 347	220	220	230	240	380	
50	HPS	H,K	H,K	H,K	H,K	N/A	N/A	N/A	N/A	N/A	
70	HPS	H,K	G,H**,K,M	G,H,K	G,H,K	N/A	N/A	M	N/A	N/A	
100	HPS	H,K	G,H**,K,M	G,H,K	G,H,K	N/A	H,M	H,M	H	N/A	
150(55V)	HPS	H,K	G,H**,K,M	G,H,K	G,H,K	A	H	H	H	N/A	
250	HPS	A	A	A	A	N/A	H	H,A	H,A	N/A	
70*	Cer, MH	H	H	H	N/A	N/A	N/A	N/A	N/A	N/A	
100*	Cer, MH	H	H	H	N/A	N/A	N/A	N/A	N/A	N/A	
70*	MH	H	H	H	N/A	N/A	N/A	N/A	N/A	N/A	
100*	MH	H	H	H	N/A	N/A	N/A	N/A	N/A	N/A	
175	MH	A	A	A	A	N/A	N/A	N/A	N/A	N/A	
250	MH	A	A	A	A	N/A	N/A	N/A	N/A	N/A	

### PULSE START METAL HALIDE LIGHT SOURCE

#### BALLAST SELECTION TABLE

150*	P (MH)	N/A	H**	H	N/A	N/A	N/A	N/A	N/A	N/A
175	P (MH)	N/A	A	A	A	N/A	N/A	N/A	N/A	N/A
250	P (MH)	A	A	A	A	N/A	N/A	N/A	N/A	N/A

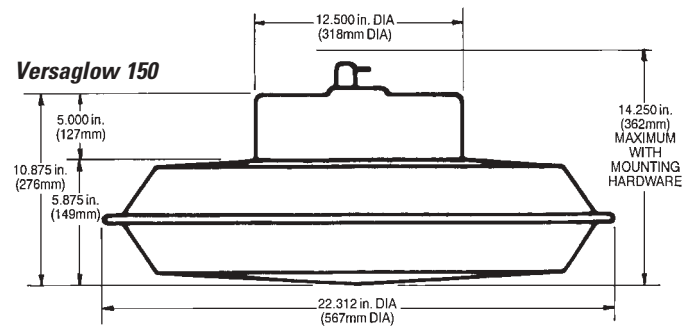
NOTE: N/A = Not Available  
 \* Medium base socket (Lamp not included)  
 \*\* 480 Volt not available

NOTE: 208, 240 and 480 volts with "G" ballast not available with switched quartz.

#### CANADIAN NOTES:

- "A", "Autoreg", and "H", HPF available 120, 277 or 347 volts only
- 208, 240, and 480 volts require CWI ballast. Use "G" when available. Contact factory for all others.
- Multivolt not available.
- "K" Hot Restart not available.

## FIXTURE DIMENSIONS



NOTE:  
 Flexible pendant mounting receptacle must be used if unit is not rigidly mounted.

