



GARAGE-GARD® LUMINAIRE

Low Bay, Enclosed

APPLICATIONS

- Parking garages, warehouses, entranceways, assembly lines, stairways, service stations and work areas/task lighting

SPECIFICATION FEATURES

- **UL 1598 Listed Suitable for Damp or Wet Locations** depending on mounting receptacle used
- Enclosed units **UL 1598 Listed** for metal halide lamps in polymeric lamp containment barriers
- CUL Listed to Canadian Standards & Codes
- Standard construction is IP22 (Mounting 2-9 is IP52)
- Wide light distribution with upright component
- Enclosed and gasketed
- UV stabilized injection molded acrylic refractor for low brightness
- Heavy-duty die-cast aluminum ballast housing with electrocoat gray paint finish
- Vandal-resistant external hardware (TORX T-20) standard
- Variety of mounting receptacles available
- Standard ambient is 40°C
- Medium base socket -E26 standard
- Safety chain provisions
- Shipped as complete luminaire with lamp in socket and mounting receptacle in carton
- *Pulse start system for metal halide available. See Page I-125*

ORDERING NUMBER LOGIC

PRODUCT IDENT	WATTAGE	LIGHT SOURCE	VOLTAGE	BALLAST TYPE	AMBIENT DEG. C	OPTICAL REFRACTOR	MOUNTING RECEPTACLE	OPTIONS
XXXX = Garage-Gard Luminaire with outlet box mounting plate	XX = 05 = 50 07 = 70 10 = 100 15 = 150 17 = 175 (55V)	X = S = HPS M = MH or Merc K = Ceramic MH P = Pulse Start MH (See pg. I-125) Medium base lamp installed in socket.	X = 60Hz 0 = 120/208/240/277 MULTIVOLT 1 = 120 2 = 208 3 = 240 4 = 277 5 = 480 D = 347 F = 120X347 T = 220 50Hz 6 = 220 Y = 240	X = See Ballast Selection Table A = Autoreg G = Mag-Reg with Grounded Socket Shell H = HPF Reactor or Lag K = Hot Restart M = Mag-Reg	X = 4 = 40	XXX = See Photometric Selection Table E2A = Enclosed Asymmetric Acrylic E5A = Enclosed Type 5 Acrylic E2P = Enclosed Asymmetric Lexan SLX Polycarbonate E5P = Enclosed Type 5 Lexan SLX Polycarbonate	X = 1 = Standard GGDC: Outlet Box Mounting Plate DAMP LOCATION ONLY GGDD included with fixture when choosing 2-9 below 2 = 3/4-in. Pendant, Rigid (MPM-3PR)* DAMP LOCATION 3 = 3/4-in. Pendant, Rigid (MPM-3PRW)* WET LOCATION 4 = 3/4-in. Pendant, Rigid, with Thru Feed, (MPM-3PRTFW)* WET LOCATION 5 = 3/4-in. Pendant, Flexible (MPM-3PF) DAMP LOCATION 6 = Outlet Box Cover (MPM-0BC) DAMP LOCATION 7 = Angled Stanchion Mount (MPM-5ASW) WET LOCATION 8 = Wall Bracket with Thru Feed, (MPM-W3TFW) WET LOCATION 9 = Wall Bracket (MPM-WW) WET LOCATION	X = B = Time Delay Automatically Switched Quartz with quartz lamp installed F = Fusing Q = Non-Time Delay Automatically Switched Quartz Note: See page I-102-114 for Accessory Index and Descriptions. Note: See page I-123-125 for explanation of Options.

PHOTOMETRIC SELECTION TABLE

Garage-Gard Wattage	Light Source	Spacing Criteria or IES Distribution Type	Optical Refractor	Photometric Curve
70,100	MH	SN2, ASYM	E2A, P	178461
70,100	MH	2.2, SYM	E5A, P	177861
175	MH	ASYM	E2A, P	179900
175	MH	2.2, SYM	E5A, P	177861
70,100	Cer,MH	SN2, ASYM	E2A, P	178461
70,100	Cer,MH	2.2, SYM	E5A, P	177861
150	P(MH)	SN2, ASYM	E2A, P	178461
150	P(MH)	2.2, SYM	E5A, P	177861
50	HPS	ASYM	E2A, P	179899
50	HPS	2.4, SYM	E5A, P	177857
70,100.150(55V)	HPS	ASYM	E2A, P	179899
70,100.150(55V)	HPS	2.4, SYM	E5A, P	177857

NOTE: ASYM = Asymmetrical; SYM = Symmetrical.
 Note: For "E2P" & "E5P" Lexan, SLX, Polycarbonate lens reduce light levels by 10%
 Note: See page T-34 for Alternative lens material explanation
 Note: Lexan SLX is a registered Trademark of GE Plastic

NOTE: Flexible pendant mounting receptacle must be used if unit is not rigidly mounted or fixture will not hang straight.

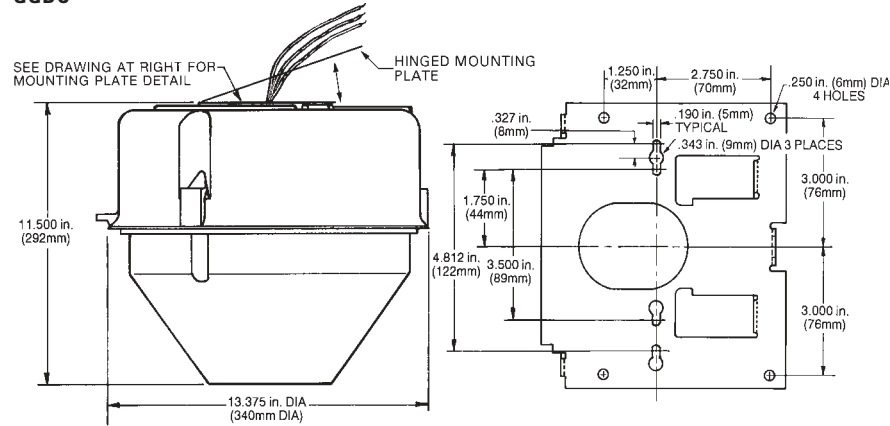
GARAGE-GARD® LUMINAIRE

Low Bay, Enclosed

GARAGE-GARD INDOOR LIGHTING

FIXTURE DIMENSIONS

GGDC



DATA

Approximate Net Weight Ballast and Optical	lbs 10-17	kgs 5-8
-----------------------------------------------	--------------	------------

BALLAST SELECTION TABLE

Wattage	Light Source	Ballast Type / Voltage									
		60HZ					50HZ				
		Multivolt	120, 208 240, 277 480	347	120 x 347	220	220	230	240	380	
50	HPS	H	H	H	H	N/A	N/A	N/A	N/A	N/A	
70	HPS	A,H,K	G,H**,K,M	G,H	G,H	A	N/A	M	N/A	N/A	
100	HPS	A,H,K	G,H**,K,M	G,H	G,H	N/A	H,M	H,M	N/A	N/A	
150(55V)	HPS	A,H	G,H**,M	G,H	G,H	A,M	H	H	N/A	N/A	
70	Cer, MH	H	H	H	N/A	N/A	N/A	N/A	N/A	N/A	
100	Cer, MH	H	H	H	N/A	N/A	N/A	N/A	N/A	N/A	
70	MH	H	H	H	N/A	N/A	N/A	N/A	N/A	N/A	
100	MH	H	H	H	N/A	N/A	N/A	N/A	N/A	N/A	
175	MH	A	A	N/A	N/A	N/A	N/A	N/A	N/A	N/A	
PULSE START METAL HALIDE LIGHT SOURCE BALLAST SELECTION TABLE											
150*	P (MH)	N/A	H**	H	N/A	N/A	N/A	N/A	N/A	N/A	

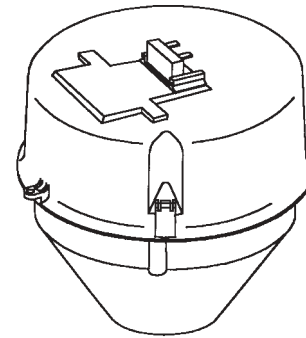
NOTE: N/A = Not Available
** 480 Volt not available

CANADIAN NOTES:

- "A", "Autoreg", and "H", HPF available 120, 277 or 347 volts only
- 208, 240, and 480 volts require CWI ballast. Use "G" when available. Contact factory for all others.
- Multivolt not available.
- "K" Hot Restart not available.
- 208, 240 and 480 volts with "G" ballast not available with switched quartz.

REFERENCES

See Page I-102 for start of Accessories.
See Pages I-123-125 for Explanation of Options and Other Terms Used.



GGDD

NOTE: Flexible pendant mounting receptacle must be used if unit is not rigidly mounted