



With
EZ Connect™

FP5 FOOD-PRO™ LUMINAIRE

High Bay, Enclosed

APPLICATIONS

- For 20-foot (6 meter) or higher food processing applications and other areas requiring hosedown capability.

SPECIFICATION FEATURES

- 1598 Listed **Suitable For Wet Locations.**
- Listed to Canadian standards and codes
- Standard construction is IP54
- Will withstand 1000 p.s.i. hosedown spray
- Enclosed optical
- Acrylic reflector
- Polypropylene reflector cover
- In-line EZ Connect™ plug-in adapter port allows for:
 - hook/loop, cord & NEMA plug
 - plug-in diagnostics capability
- Symmetrical heavy-duty die-cast aluminum ballast housing with white polyester paint finish
- 55° C ambient, standard
- Threaded hub for easy mounting
- Adjustable mogul base socket -E39 standard
- Safety chain provisions
- Shipped as components: Ballast, Optical. Magnapack available for ballast.
- *Pulse start system for metal halide available. See Page I-125*

ORDERING NUMBER LOGIC

PRODUCT IDENT	COLOR	WATTAGE	LIGHT SOURCE	VOLTAGE	BALLAST TYPE	OPTICAL CODE	PHOTOMETRY CODE	MOUNTING CODE	OPTIONS
XXX = Food-Pro	X = White Polyester Powder	XX = 25 = 250 32 = 320 35 = 350 40 = 400	X = M = MH S = HPS P = Pulse Start MH (See pg. I-125) Note: Lamp is vertical base up. Lamp not included.	X = 60Hz 0 = 120/208/240/277 MULTIVOLT 1 = 120 2 = 208 3 = 240 4 = 277 5 = 480 D = 347 F = 120X347 T = 220 50Hz 6 = 220 R = 230 Y = 240 G = 380	See Ballast Selection Table A = Autoreg D = System 3 Bilevel Autoreg (See Technical Section) G = CANADIAN Mag-Reg (Grounded Socket Shell) H = HPF Reactor or Lag L = Super Low Loss Autoreg M = Mag-Reg	D6=Enclosed 26 in. acrylic w/reflector cover	XX = Select Code Below	XX = Select Code Below 67 = Pendant, Nut and Hanger Hub Mounting (See page I-124 for details) 35 = Prewired with grommated hook, 3-ft (0.9 meters) #16/3 Cord, and Nema Plug Daniel Woodhead Watertight* (not available in 347 and 480 volt)	X = B = Time Delay Automatically Switch Quartz K = Encapsulated Ballast (For use with 250 & 400 watt Auto Reg Ballast only) Q = Non-Time Delay Automatically Switch Quartz R = Non Switch Quartz. T = E40 / European Socket Note: See page I-102-114 for Accessory Index and Descriptions. Note: See page I-123-125 for explanation of Options.

PHOTOMETRIC SELECTION TABLE

D6 OPTICAL - Enclose 26 in. Reflector with Dust Cover						
Wattage	Light Source	Spacing Criteria	Socket Position	Photometric Curve	Optical Code	Photometry Code
250	MH	1.3	H	179881	D6	AH
400	MH	1.4	A	179508	D6	AA
400	MH	1.6	C	179510	D6	AC
400	MH	1.8	F	179513	D6	AF
250	P(MH)	1.3	H	179881	D6	AH
320(ED28)*	P(MH)	1.3	H	179881	D6	AH
350	P(MH)	1.4	A	179508	D6	AA
350	P(MH)	1.6	C	179510	D6	AC
350	P(MH)	1.8	F	179513	D6	AF
400	P(MH)	1.4	A	179508	D6	AA
400	P(MH)	1.6	C	179510	D6	AC
400	P(MH)	1.8	F	179513	D6	AF
250	HPS	1.3	E	179504	D6	AE
250	HPS	1.5	G	179506	D6	AG
250	HPS	1.6	H	179507	D6	AH
400	HPS	1.3	E	179504	D6	AE
400	HPS	1.5	G	179506	D6	AG
400	HPS	1.6	H	179507	D6	AH

*320 watt, ED28 pulse start MH

FP5 FOOD-PRO™ LUMINAIRE

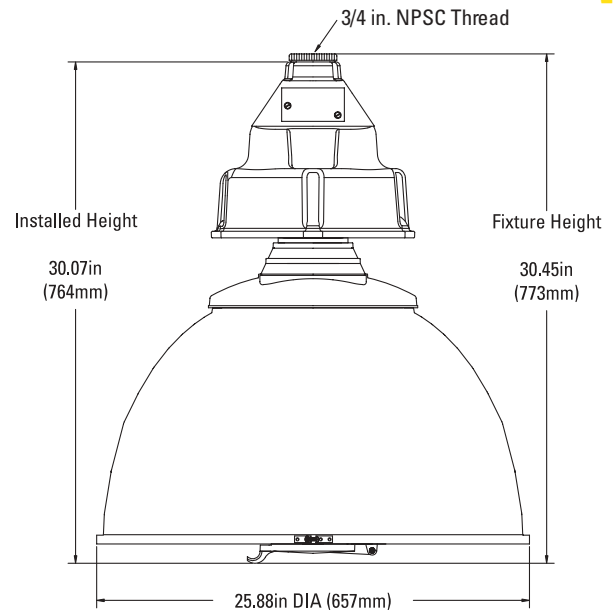
High Bay, Enclosed

FOOD-PRO INDOOR LIGHTING

REFERENCES

See Page I-102 for start of Accessories.
 See Page I-116 for Component Ordering Logic.
 See Pages I-123-125 for Explanation of Options and Other Terms Used.

FIXTURE DIMENSIONS



DATA

Approximate Net Weight Ballast and Optical	lbs 37	kgs 17
---	-----------	-----------

BALLAST SELECTION TABLE

Wattage	Light Source	Ballast Type / Voltage								
		60HZ					50HZ			
		Multivolt	120, 208 240, 277 480	A,D,G,L,M A,D,G,L	A,D,G,L A,D,G,L	120 x 347	220	230	240	380
250	HPS	A,M	A,D,G,L,M	A,D,G,L	A	A,H	A,H,M	A,H	A,H	M
400	HPS	A,M	A,D,G,L,M	A,D,G,L	A	A,H	A,H,M	A,H,M	A,H,M	M
250	MH	A	A,D,L	A,D,L	A	A	A	A	A	N/A
400	MH	A	A,D,L	A,D,L	A	A	A	A	A	N/A
PULSE START METAL HALIDE LIGHT SOURCE BALLAST SELECTION TABLE										
250	P (MH)	A	A,D,G,M	A,G	A	N/A	N/A	N/A	N/A	N/A
320	P (MH)	A	A,H*	A	N/A	N/A	N/A	N/A	N/A	N/A
350	P (MH)	A	A,H*	A	N/A	N/A	N/A	N/A	N/A	N/A
400	P (MH)	A	A,D,G,M	A,G	N/A	N/A	A	A	A	N/A

NOTE: N/A = Not Available
 * H is HPF-Linear Reactor available as 277 volt only.
 Cannot be used with AutomaticSwitch Quartz Option.

- CANADIAN NOTES:**
- "A", "Autoreg", and "D", Bilevel Autoreg available 120, 277 or 347 volts only
 - 208, 240, and 480 volts require CWI ballast. Use "G" when available.
Contact factory for all others.
 - Multivolt not available.
 - 208, 240 and 480 volts with "G" ballast not available with switched quartz.