



With **EZ Connect™**

DG6 DURAGLOW® 1000 LUMINAIRE

High Bay, Open — Optical Sliding Disconnect Series

APPLICATIONS

- For over 30 ft. (9 meter) applications in factories, foundries, machine shops, and other industrial environments

SPECIFICATION FEATURES

- 1598 Listed
- **Suitable For Damp Locations**
- Listed to Canadian Standards and codes
- Standard construction is IP22
- Open, ventilated optical assembly
- Unique optical sliding disconnect
- Threaded slide-in mounting adapter for easy mounting
- 55° C ambient, standard
- In-line EZ Connect™ plug-in adapter port allows for:
 - hook/loop, cord & NEMA plug
 - plug-in diagnostics capability
 - plug-in modular wiring systems
 - plug-in fuse kits
- Symmetrical heavy-duty die-cast aluminum ballast housing with electrocoat gray or white polyester paint finish
- Single casting integral hook/loop and mounting plate is available
- Adjustable mogul base socket -E39 standard
- ALGLAS® finish on faceted reflector
- Safety chain provisions
- Shipped as components: Ballast, Optical. Magnapack available for ballast *See Technical Section*
- *Pulse start system for metal halide available. See Page I-125*

ORDERING NUMBER LOGIC

PRODUCT IDENT	COLOR	WATTAGE	LIGHT SOURCE	VOLTAGE	BALLAST TYPE	OPTICAL CODE	PHOTOMETRY CODE	MOUNTING CODE	OPTIONS
XXX	X	XX	X	X	X	XX	XX	XX	X
DG6 = Duraglow 1000 Luminaire	G = Gray Electro Coat W = White Polyester Powder	40 = 400 75 = 750 01 = 1000	M = MH S = HPS P = Pulse Start MH (See pg. I-125) Note: Lamp is vertical base up. Lamp not included.	60Hz 0 = 120/208/240/277 MULTIVOLT 1 = 120 2 = 208 3 = 240 4 = 277 5 = 480 D = 347 F = 120X347 T = 220 50Hz 6 = 220 R = 230 Y = 240 G = 380	See Ballast Selection Table A = Autoreg D = System 3 Bilevel Autoreg (See Technical Section) G = CANADIAN Mag-Reg (Grounded Socket Shell) H = HPF Reactor or Lag L = Super Low Loss Autoreg M = Mag-Reg W = Whisper Quiet Auto Reg	V7 = Open & Ventilated 17 in. Reflector V2 = Open & Ventilated 22 in. Reflector	XX = Select Code Below	11 = Pendant mounting 12 = Pendant mounting for 1000w HPS Multivolt (Not available with EZ Connect 9-pin plug) 13 = Provision for Slide-on Primary Electrical Disconnect. Order TWOBP Box (Thru Feed Capability Only) Separately. 14 = Provision for Slide-on Primary Electrical Disconnect. Order PED Box (Pendant and Thru Feed Capability) Separately 15 = Prewire with EZ-Loop, Cord and Plug Part of "Power Hook". Order Receptacle/Hook Box Separately. (Not CSA/CUL) 31 = Prewire with EZ-Hook, 3-ft (0.9 Meters) #16/3 Cord, and Nema Plug 33 = Prewire with EZ-Loop, 3-ft (0.9 Meters) #16/3 Cord, and Nema Plug (Order locking receptacle hook box separately.) MODULAR PREWIRE 41 = ACS with 3-ft (0.9 meter) cord & EZ-Hook 69 = ACS with 6-ft (1.8 meter) cord & EZ-Hook 43 = ACS with 3-ft (0.9 meter) cord & EZ-Loop 70 = ACS with 6-ft (1.8 meter) cord & EZ-Loop 51 = Sentinel with 3-ft (0.9 meter) cord & EZ-Hook 71 = Sentinel with 6-ft (1.8 meter) cord & EZ-Hook 53 = Sentinel with 3-ft (0.9 meter) cord & EZ-Loop 72 = Sentinel with 6-ft (1.8 meter) cord & EZ-Loop	A = 65°C maximum ambient B = Time Delay Automatically Switched Quartz F = Fusing (Not available with D or W option) G = Secondary Wiring Access 7/8 in. dia. knockout (Not available with D or W option) K = Encapsulated Ballast Q = Non-Time Delay Automatically Switched Quartz R = Non-Switched Quartz. S = Exclusionary mogul base socket for MH open fixtures T = E40 / European Mogul Base Socket Note: See page I-102-114 for Accessory Index and Descriptions. Note: See page I-123-125 for explanation of Options.

PHOTOMETRIC SELECTION TABLE

V7 OPTICAL - Open & Ventilated 17 in. Reflector						
Wattage	Light Source	Spacing Criteria	Socket Position	Photometric Curve	Optical Code	Photometry Code
400	MH,P	1.1	11	174980	V7	EX
400	MH,P	1.3	9	174981	V7	EU
400	MH,P	1.6	5	177098	V7	EQ
400	HPS	1.0	5	174984	V7	EQ
400	HPS	1.4	3	174985	V7	EO

V2 OPTICAL - Open & Ventilated 22 in. Reflector						
Wattage	Light Source	Spacing Criteria	Socket Position	Photometric Curve	Optical Code	Photometry Code
400	MH,P	0.7	7	174978	V2	ES
750	P	0.8	7	451975	V2	ES
750	P	1.0	L	451978	V2	EL
750	P	1.4	G	451977	V2	EG
1000	MH	1.0	11	174988	V2	EX
1000	MH	1.5	7	174989	V2	ES
1000	MH (Coated)	1.1	11	175576	V2	EX
1000	MH (Coated)	1.4	7	175583	V2	ES
400	HPS	0.7	2	174982	V2	EN
750	HPS	0.9	9	178152	V2	EU
750	HPS	1.3	3	178155	V2	EO
1000	HPS	1.1	7	175274	V2	ES

DG6 DURAGLOW® 1000 LUMINAIRE

High Bay, Enclosed

DURAGLOW INDOOR LIGHTING

DIMENSIONS

- When optical assembly contains a quartz socket (switched or non-switched), an additional 1.125 inches (29mm) must be added to the overall height due to double stack disconnect.
- 750 and 1000 watt with "A", 65C Ambient Option, add 2.50 inches to overall height.

NOTES

See explanation on "Optical Flexibility" Page I-3. See References.

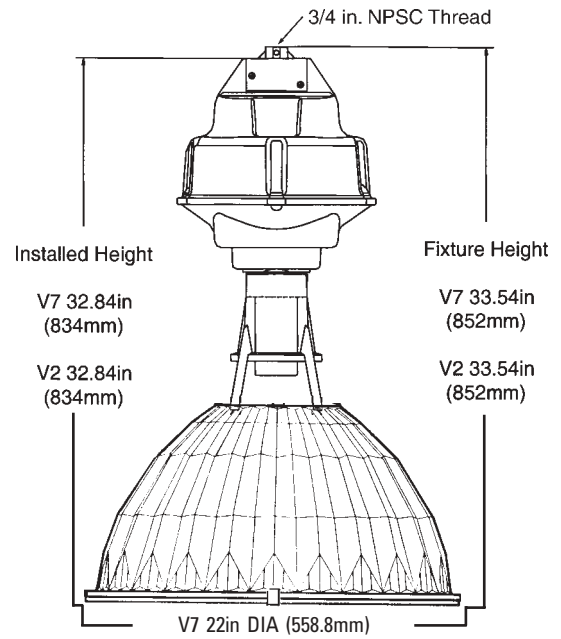
REFERENCES

See Page I-102 for start of Accessories.

See Page I-116 for Component Ordering Logic.

See Pages I-123-125 for Explanation of Options and Other Terms Used.

FIXTURE DIMENSIONS



DATA

Approximate Net Weight Ballast and Optical	lbs 39-51	kgs 18-23
---	--------------	--------------

BALLAST SELECTION TABLE

Wattage	Light Source	Ballast Type / Voltage	Ballast Type / Voltage									
			60HZ					50HZ				
			Multivolt	120, 208 240, 277 480	347	120 x 347	220	220	230	240	380	
400	HPS	A	A,D,G,L,M	A,D,G,L	A,G	A,H	A,H,M	A,H,M	A,H,M	M		
750	HPS	H	A,D*	A,D*	N/A	N/A	N/A	N/A	N/A	N/A		
1000	HPS**	A	A	A	N/A	A	N/A	N/A	N/A	N/A		
400	MH	A,W	A,D,L	A,D,L	A	A	A	A	A	N/A		
1000	MH	A	A***,D	A,D	N/A	A	A	A	A	A		
PULSE START METAL HALIDE LIGHT SOURCE												
BALLAST SELECTION TABLE												
400	P (MH)	A	A,D,G	A,D,G	A	N/A	A	A	A	N/A		
750	P (MH)	N/A	A	N/A	N/A	N/A	N/A	N/A	N/A	N/A		

NOTE: N/A = Not Available

* Automatic Switch Quartz Option not available with Bilevel

**1000 watt HPS Multivolt not available with EZ Connect 9-pin plug. Order only with special mounting code 12.

***120, 208 and 240 volt available as Multivolt only.

CANADIAN NOTES:

- "A", Autoreg, and "D", Bilevel Autoreg available 120, 277 or 347 volts only
- 1000 Watt Metal Halide and HPS available 120, 277 or 347 volt Autoreg only.
- 208, 240, and 480 volts require CWI ballast. Use "G" when available. Contact factory for all others.
- Multivolt not available.