



# CLB CHARGER™ LUMINAIRE

## Low Bay, Enclosed

### APPLICATIONS

- For 10 - 25 ft. (3-8 meter) applications in warehouses, assembly plants, material handling, maintenance, manufacturing, inspection and other areas where economical and energy-efficient light sources are important

### SPECIFICATION FEATURES

- 1598 Certified for Indoor Locations
- Listed for metal halide lamps in polymeric lamp containment barriers
- Certified for Indoor Locations
- UV Stabilized injection molded prismatic refractor for low brightness
- Heavy-duty steel ballast housing with standard white paint finish
- Optional steel hook for use with eye bolt hanging
- Easy to install, threaded, hanger hub
- Alzak<sup>†</sup> finish on reflector
- Safety chain provisions
- Mogul base socket -E39 standard
- Shipped as components: Ballast, Optical
- 1 Year Standard warranty
- *Pulse start system for metal halide available. See Page I-125*

### ORDERING NUMBER LOGIC

PRODUCT IDENT	COLOR	WATTAGE	LIGHT SOURCE	VOLTAGE	BALLAST TYPE	OPTICAL CODE	PHOTOMETRY CODE	MOUNTING CODE	OPTIONS
XXX CLB = Charger Low Bay Luminaire	X W = White	XX 25 = 250 32 = 320 40 = 400	X S = HPS M = MH or P = Pulse Start MH (See pg. I-125)  Note: Lamp is vertical base up. Lamp not included.	X 60Hz 0 = 120/208/ 240/277 MULTIVOLT 1 = 120 2 = 208 3 = 240 4 = 277 5 = 480 D = 347 F = 120X347  50Hz 6 = 220 R = 230 Y = 240 G = 380	X See Ballast Selection Table A =Autoreg	XX EA= Enclosed Acrylic	XX NA = Not Applicable	XX 12 = Pendant mounting with Charger hanger hub 15 = Aluminum Loop, Cord and Plug Part of "Power Hook". Order Receptacle/Hook Box Separately. (Not CSA/CUL) 33 = Prewire with Loop, 3-ft (0.9 Meters) #16/3 Cord, and Nema Plug (Order locking receptacle hook box separately.) 36 = Hook - Steel with 3 ft.(0.9 meters) #16/3 Cord and NEMA Plug  MODULAR PREWIRE 45 = ACS with 3-ft (0.9 meters) cord & Steel-Hook 55 = Sentinel with 3-ft (0.9 meters) cord & Steel-Hook 65 = ACS with 6-ft (1.8 meters) cord & Steel-Hook 66 = Sentinel with 6-ft (1.8 meters) cord & Steel-Hook  Note: Steel hook for use with steel 1-in. diameter eye bolt. Not for use with LOOPM or LOOPF  Note: For flush mount prismatic low bay, see Charger Prismatic offering	X F = Fusing Q= Non-Time Delay Automatically Switch Quartz T = E40 / European Socket Y = Solo Bilevel Port (See page I-100)

### PHOTOMETRIC SELECTION TABLE

EA OPTICAL - Enclosed Acrylic				
Wattage	Light Source	Ambient °C	Spacing Criteria	Photometric Curve
250	HPS	55	2.1	451919
400	HPS	40	2.0	451918
250, 320*	MH,P	55	1.8	451921
400	MH,P	40	2.1	451920

\*320 watt, ED28 Pulse Start MH

### REFERENCES

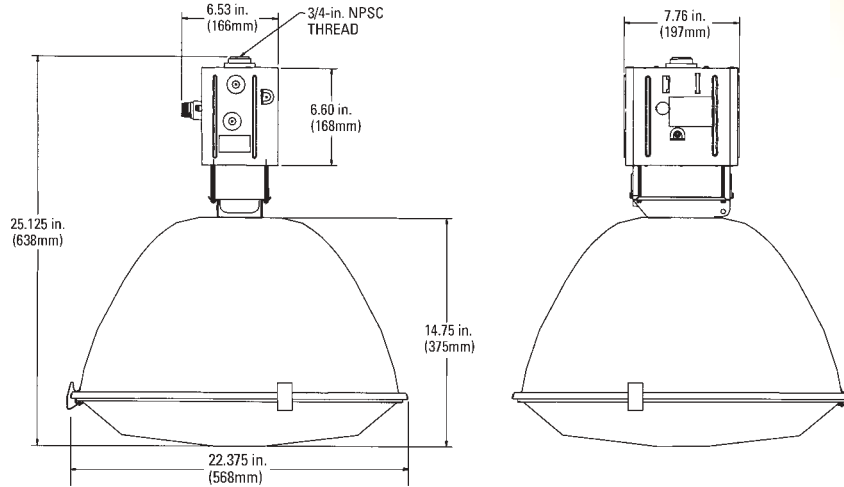
- See Page I-102 for start of Accessories.
- See Page I-116 for Component Ordering Logic.
- See Pages I-123-125 for Explanation of Options and Other Terms Used.

# CLB CHARGER™ LUMINAIRE

Low Bay, Enclosed

CHARGER INDOOR LIGHTING

## FIXTURE DIMENSIONS



## DATA

Approximate Net Weight Ballast and Optical	lbs	kgs
	32	14.5

## BALLAST SELECTION TABLE

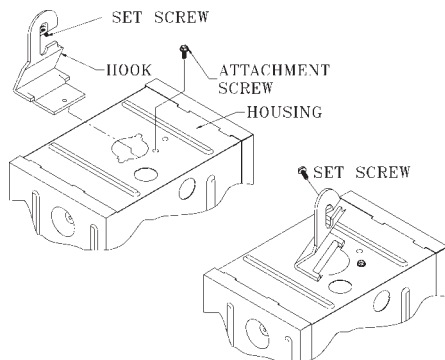
Wattage	Light Source	Ballast Type / Voltage								
		60HZ			50HZ					
		Multivolt	120, 208 240, 277 480	347	120 x 347	220	220	230	240	380
250	HPS	A	A	A	A	N/A	N/A	N/A	N/A	N/A
400	HPS	A	A	A	N/A	N/A	N/A	N/A	N/A	N/A
250	MH	A	A	A	A	C/F	C/F	C/F	C/F	C/F
400	MH	A	A	A	A	C/F	C/F	C/F	C/F	C/F
<b>PULSE START METAL HALIDE LIGHT SOURCE BALLAST SELECTION TABLE</b>										
250	P (MH)	A	A	A	A	N/A	N/A	N/A	N/A	N/A
320	P (MH)	A	A*	C/F	N/A	N/A	N/A	N/A	N/A	N/A
400	P (MH)	A	A	A	A	C/F	C/F	C/F	C/F	N/A

NOTE: N/A = Not Available  
C/F = Contact Factory

### CANADIAN NOTES:

- "A", Autoreg available 120, 277 or 347 volts only
  - Multivolt not available.
- \* Consult Factory for 480 volt

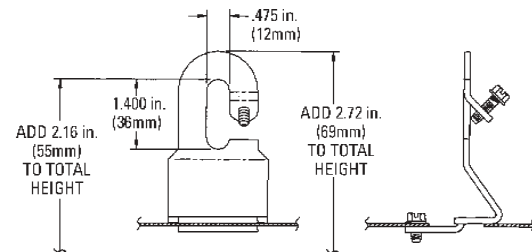
## Steel Hook Mounting Option



When steel hook is ordered, it is supplied factory installed in lieu of threaded 3/4" twist-on housing. Cord exits side of ballast housing.

**Note:** For field installed hook, cord, plug, see accessories.

## Steel Hook as referred to in Mounting Code



Steel hook for use with steel 1-in. diameter eye bolt. Not for use with LOOPM or LOOPF

Note: To order as an accessory use catalog number - **HOOKS**.