



CHB CHARGER™ LUMINAIRE

High Bay, Open

APPLICATIONS

- For over 20 ft. (6 meter) applications in distribution centers, assembly plants, material handling, maintenance, manufacturing, inspection and other areas where economical and energy-efficient lighting are required

SPECIFICATION FEATURES

- 1598 Certified for Indoor Locations
- Certified for Indoor Locations
- Heavy-duty steel ballast housing with standard white paint finish
- Easy to install, threaded, hanger hub
- Formed aluminum reflector with Alzak⁺ finish providing uniform lighting distribution for high bay lighting
- Optional steel hook for use with eye bolt hanging
- Flexible Spacing Criterion (SC) allows field adjustable light distribution
- Safety chain provisions
- Mogul base socket -E39 standard
- Shipped as components: Ballast, Optical.
- Unit pack option available - See Read-Stock information
- 2 Year Standard warranty
- Pulse start system for metal halide available. See Page I-125

ORDERING NUMBER LOGIC

PRODUCT IDENT	COLOR	WATTAGE	LIGHT SOURCE	VOLTAGE	BALLAST TYPE	OPTICAL CODE	PHOTOMETRY CODE	MOUNTING CODE	OPTIONS
XXX = Charger High Bay Luminaire	X = White	XX = 25 = 250 32 = 320 40 = 400	X = M = MH S = HPS P = Pulse Start MH (See pg. I-125) Note: Lamp is vertical base up. Lamp not included.	X = 60Hz 0 = 120/208/240/277 MULTIVOLT 1 = 120 2 = 208 3 = 240 4 = 277 5 = 480 D = 347 F = 120X347 50Hz 6 = 220 R = 230 Y = 240 G = 380	X = See Ballast Selection Table A = Autoreg	XX = V6 = Open ventilated 16-in. (406mm) Reflector D6 = 16-in. (406mm) reflector with door glass kit included Note: Do not use open opticals with lamps specified for use in enclosed fixtures only	XX = NA = Not Applicable	XX = 12 = Pendant mounting with Charger hanger hub 15 = Aluminum Loop, Cord and Plug Part of "Power Hook". Order Receptacle/Hook Box Separately. (Not CSA/CUL) 33 = Prewire with Loop, 3-ft (0.9 Meters) #16/3 Cord, and Nema Plug (Order locking receptacle hook box separately.) 36 = Hook - Steel with 3 ft.(0.9 meters) #16/3 Cord and NEMA Plug MODULAR PREWIRE 45 = ACS with 3-ft (0.9 meters) cord & Steel-Hook 55 = Sentinel with 3-ft (0.9 meters) cord & Steel-Hook 65 = ACS with 6-ft (1.8 meters) cord & Steel-Hook 66 = Sentinel with 6-ft (1.8 meters) cord & Steel-Hook Note: Steel hook for use with steel 1-in. diameter eye bolt. Not for use with LOOPM or LOOPF	X = F = Fusing Q = Non-Time Delay Automatically Switch Quartz S = Exclusionary mogul base socket for MH open fixtures T = E40 / European Socket Y = Solo Bilevel Port (See page I-100)

PHOTOMETRIC SELECTION TABLE

V6 OPTICAL - Open and Ventilated 16 in.					
Reflector Wattage	Light Source	Spacing Criteria	Reflector Position	Ambient °C	Photometric Curve
250	HPS	1.7	W	55	451937
400	HPS	1.6	W	55	451930
250	HPS	1.4	N	55	451934
400	HPS	1.3	N	55	451933
250, 320*	MH,P	0.9	W	55	451922
400	MH,P	1.7	W	55	451929
250, 320*	MH,P	0.8	N	55	451925
400	MH,P	1.4	N	55	451926
D6 OPTICAL - 16 in. Reflector with door glass kit					
250	HPS	1.7	W	55	451936
400	HPS	1.6	W	55	451931
250	HPS	1.4	N	55	451935
400	HPS	1.3	N	55	451932
250, 320*	MH,P	0.9	W	55	451923
400	MH,P	1.7	W	55	451928
250, 320*	MH,P	0.8	N	55	451924
400	MH,P	1.4	N	55	451927

*320 watt is ED Pulse Start MH

REFERENCES

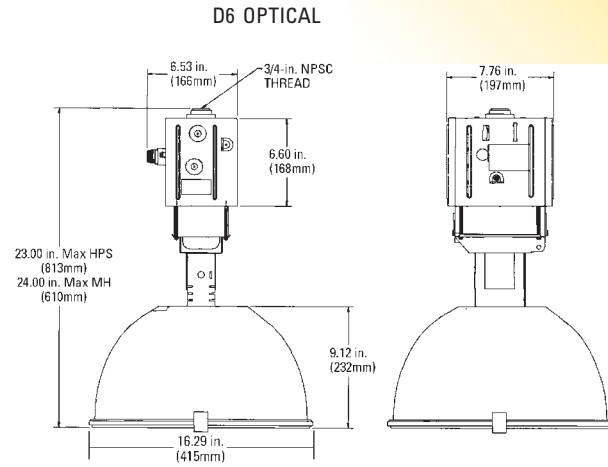
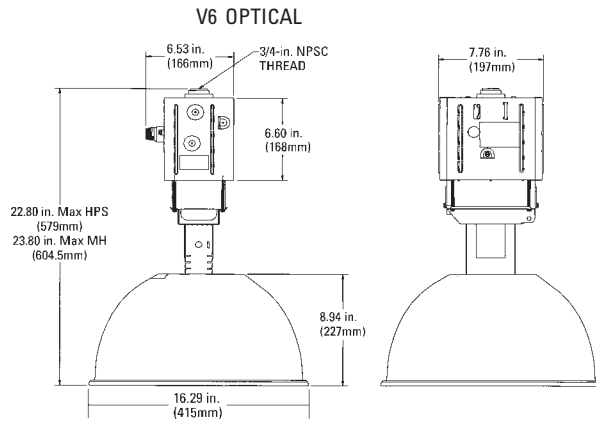
- See Page I-102 for start of Accessories.
- See Page I-116 for Component Ordering Logic.
- See Pages I-123-125 for Explanation of Options and Other Terms Used.

CHB CHARGER™ LUMINAIRE

High Bay, Open

CHARGER INDOOR LIGHTING

FIXTURE DIMENSIONS



BALLAST SELECTION TABLE

DATA

Approximate Net Weight Ballast and Optical	lbs 18-20	kgs 8-9
---	--------------	------------

Wattage	Light Source	Ballast Type / Voltage								
		60HZ				50HZ				
		Multivolt	120, 208 240, 277 480	347	120 x 347	220	220	230	240	380
250	HPS	A	A	A	A	N/A	N/A	N/A	N/A	N/A
400	HPS	A	A	A	N/A	N/A	N/A	N/A	N/A	N/A
250	MH	A	A	A	A	C/F	C/F	C/F	C/F	C/F
400	MH	A	A	A	A	C/F	C/F	C/F	C/F	C/F

PULSE START METAL HALIDE LIGHT SOURCE

BALLAST SELECTION TABLE

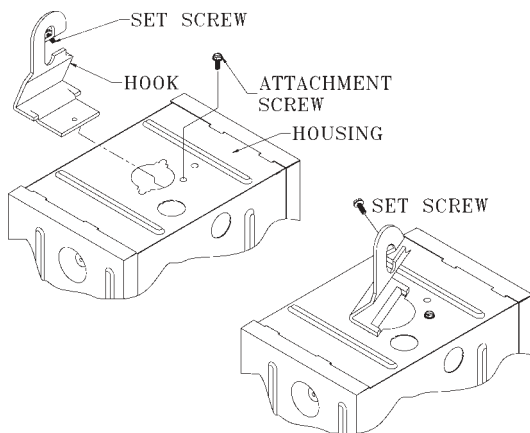
250	P (MH)	A	A	A	A	N/A	N/A	N/A	N/A	N/A
320	P (MH)	A	A*	C/F	C/F	C/F	C/F	C/F	C/F	C/F
400	P (MH)	A	A	A	A	C/F	C/F	C/F	C/F	C/F

NOTE: N/A = Not Available
C/F = Contact Factory

CANADIAN NOTES:

- *480 volt, Consult Factory
- 1. "A", Autoreg available 120, 277 or 347 volts only
- 2. Multivolt not available.

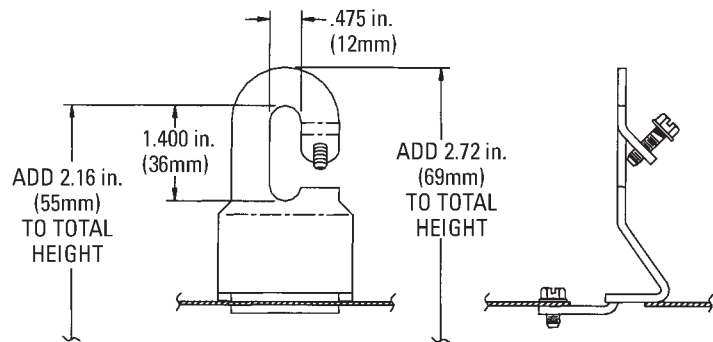
Steel Hook Mounting Option



When steel hook is ordered, it is supplied factory installed in lieu of threaded 3/4" twist-on housing. Cord exits side of ballast housing.

Note: For field installed hook, cord, plug, see accessories.

Steel Hook as referred to in Mounting Code



Steel hook for use with steel 1-in. diameter eye bolt. Not for use with LOOPM or LOOPF

Note: To order as an accessory use catalog number - **HOOKS**.

Note: For gymnasium applications see Accessories: Page 107 for Optical Retention Clip - **CHB-GC**
Page 108 for Wireguard - **H2000-NE**