



INSTRUCTIONS Mini•Gard Luminaire

READ THOROUGHLY BEFORE INSTALLING

WARNING

Risk of electric shock

- Turn power off before servicing
- see instructions

THE OPERATING TEMPERATURE "T-CODE" LISTED FOR THIS LUMINAIRE IS BASED ON THE FOLLOWING BULB SIZES. USE OF OTHER THAN THESE MAY RESULT IN A HIGHER OPERATING TEMPERATURE AND COULD RESULT IN A HAZARDOUS CONDITION.

LAMP TYPE	WATTAGE	BULB SIZE
HIGH PRESSURE SODIUM	70,100,150	ED 23 1/2
HIGH PRESSURE SODIUM	250, 400	ED 18
METAL HALIDE/MERCURY	175, 250	ED 28
METAL HALIDE/MERCURY	400	ED 37

AVERTISSEMENT: COUPER L'ALIMENTATION AVANT L'INSTALLTION OU L'ENTRETIEN.

GENERAL

A complete luminaire consists of a ballast housing, optical assembly, and a cover/mounting.

CAUTION: When installing luminaire in hazardous locations check operating temperature limits prior to installation to insure it conforms to the environmental temperature restrictions and NEC classifications.

MOUNTING INSTALLATION

CAUTION

Unit will fall if not installed properly

- Follow installation instructions

Pendant Cover (See Figure 1)

Thread cover onto conduit. Orient cover and seal around conduit using approved NEC procedures. Tighten set screw at mounting hub. Hang ballast housing on cover by hinge. Proceed to Wiring.

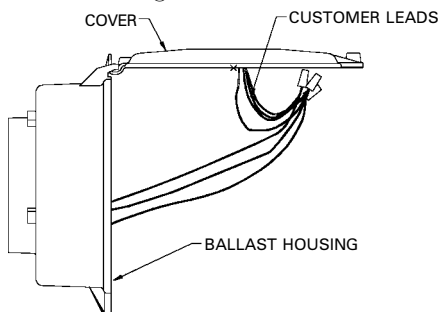
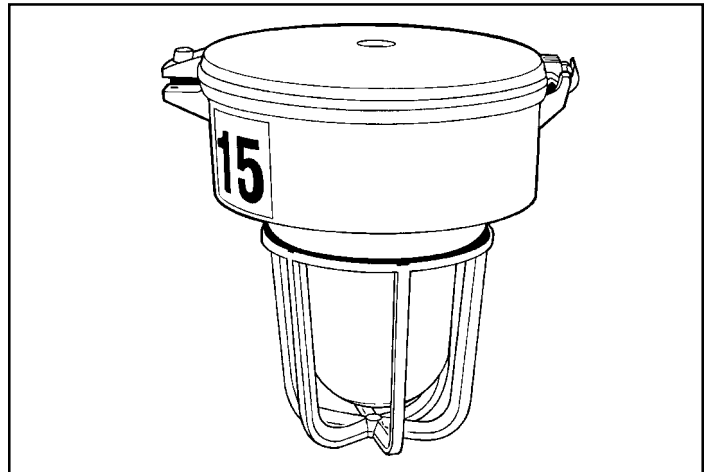


Figure 1



Flexible Cover (See Figures 2 and 3)

Loosen four (4) bolts holding mounting hub to cover. Position adapter plate correctly to balance luminaire. Use widest bolt spacing possible to secure plate to cover. Hang ballast housing on cover by hinge. Proceed to Wiring.

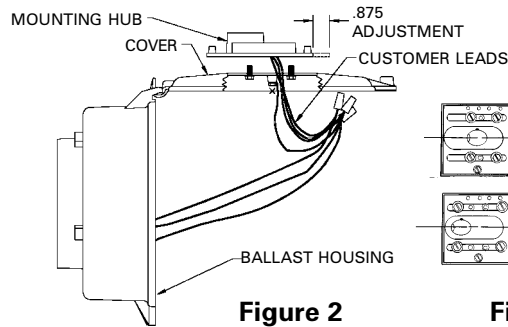


Figure 2

Figure 3

Ceiling Cover (See Figure 4)

Using the slotted tabs, mount cover to ceiling. Hang ballast housing on cover by hinge. Proceed to Wiring.

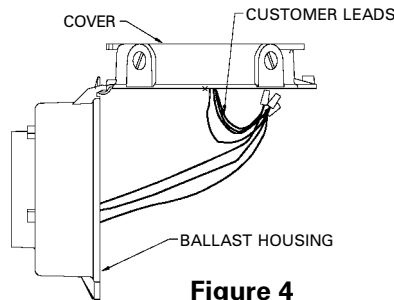


Figure 4

Wallmount Cover (See Figure 5)

Mount wiring box provided and pull leads. Tether is supplied to hold arm assembly while connecting supply leads. Attach arm assembly to wiring box. Do not damage gasket attached to arm assembly. Mounting screws should be tightened in alternate sequence. Hang ballast housing on cover by hinge. Proceed to Wiring.

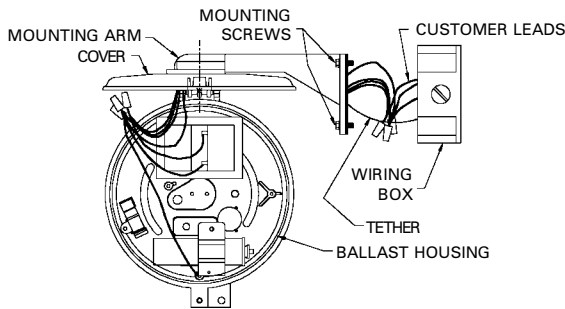


Figure 5

Straight Stanchion Cover (See Figure 6)

Attach mounting arm onto conduit. Hang ballast housing on cover by hinge. Proceed to Wiring.

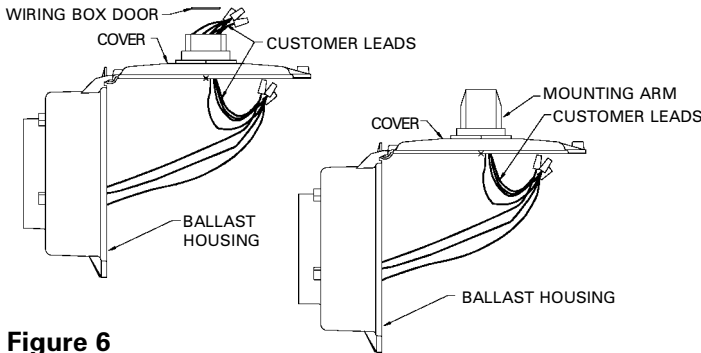


Figure 6

Figure 7

Angle Stanchion Cover (See Figure 7)

Attach mounting arm onto conduit. Hang ballast housing on cover by hinge. Proceed to Wiring.

B. WIRING:

Cut incoming supply conductors to six (6) inches inside cover. Route conductors through lead clip provided and make electrical connections, including ground as shown on wiring label (See Figure 8).

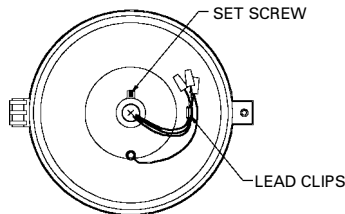


Figure 8

Make all electrical connections in accordance with the National Electrical Code and any applicable local code requirements.

Verify that supply voltage is correct by comparing it to nameplate.

When changing voltage on reconnectable units, move only the lead with the insulated connector.

IF SINGLE VOLTAGE:

All single voltage ballasts are pre-wired such that user need only connect the supply conductors.

IF MULTIVOLT: (120/208/240/277 volts)

Connect the ballast lead with the insulated terminal to the desired voltage terminal as indicated on the ballast terminal nameplate.

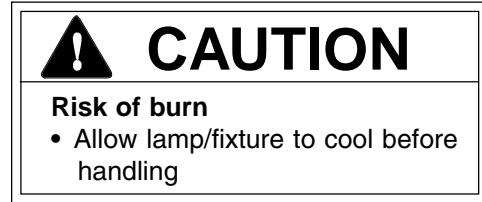
IF MULTIWATT:

Multiwatt ballasts are available in various combinations of wattage. See wiring instructions on wiring tag inside the luminaire.

BALLAST HOUSING INSTALLATION

Swing unit shut. Tighten ballast cover screw securely.

LAMP INSTALLATION



Use only lamps specified on nameplate. Observe lamp manufacturer's recommendations and restrictions on lamp operation, particularly ballast type, burning position, etc.

Lamp Tightness – Medium Base Lamp: The lamp should be tightened to a light firmness sufficient to depress the center contact.

OPTICALS

CAUTION: GLOBE IS TEMPERED GLASS. DO NOT SCRATCH OR CHIP.

Attach globe by threading firmly into bottom of ballast housing.

Prismatic Refractor Assembly Type V, R or L

Thread adapter firmly into ballast housing. To orient asymmetrical glass, loosen clamping screws, turn glass and retighten screws. To relamp, unscrew complete optical from ballast housing.

ACCESSORIES

External Reflector

Insert mounting screws. Orient reflector to proper position and slip over mounting screws. Turn reflector and tighten screws securely.

Globe Guard

Insert protective guard into ballast housing and turn until retained by detent.

MAINTENANCE AND CLEANING

It will occasionally be necessary to clean optical assembly in order to maintain light levels. Frequency of cleaning will depend on dirt levels in user's facility and minimum acceptable light levels. Reflector should be cleaned with any suitable, non-abrasive solution of water and soap or detergent. Residual cleaning agent should be removed with clean water rinsing. Glassware may be cleaned with any conventional glass cleaner. If unit gets soiled on the inside, it should be cleaned and any damaged gasket or filter replaced.

GE Lighting Systems, Inc.
3010 Spartanburg Highway
Hendersonville, NC 28793
(828) 693-2000