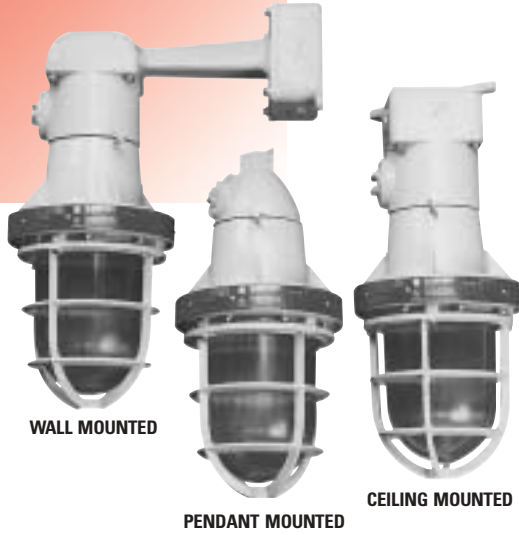


H8 HAZARDOUS LOCATION INCANDESCENT LUMINAIRE UL844



APPLICATIONS

- Hazardous location incandescent lighting

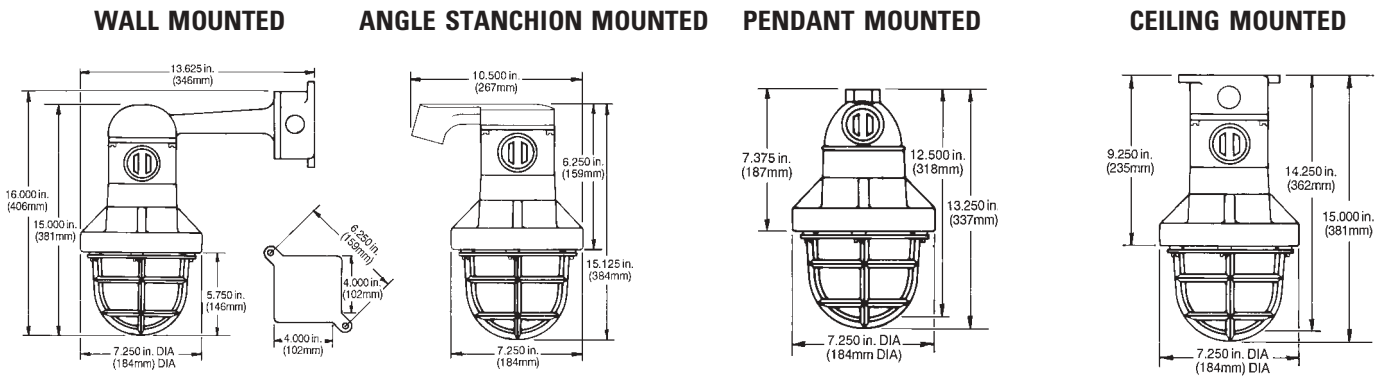
SPECIFICATION FEATURES

- UL 844 Listed
 - Class I, Division 1, Groups C and D—300 watt maximum
 - Class II, Division 1, Groups E, F and G—150 watt maximum
 - Paint Spray Area—75 watt maximum
- Standard construction is IP65
- Low copper aluminum alloy housing with gray paint finish
- Integral conduit seal
- Uses incandescent lamps up to 300 watt (PS-25)
- Third party listings
 - UL844
 - Paint Spray Area 75 watt maximum
- Shipped in single pack
- Maximum ambient 25°C

ORDERING NUMBER LOGIC

PRODUCT IDENT	VOLTAGE	WATTAGE/LIGHT SOURCE	MOUNTING	OPTICAL
XX H8 = Hazardous Location Incandescent Luminaire	X 60 Hz* X = 250 volt maximum *For 50 Hz, contact factory	XXX 30F = 300 watt maximum Medium Base Incandescent PS-25 Bulb Standard: Lamp not included	XX 2C = 1/2-in. Ceiling 3C = 3/4-in. Ceiling 6J = 1-1/2-in. Angle Stanchion 2P = 1/2-in. Pendant 3P = 3/4-in. Pendant 2W = 1/2-in. Wall 3W = 3/4-in. Wall	XX KK = Globe with Guard

FIXTURE DIMENSIONS



NOTES

You must use temperature profile data to properly select luminaire. See Page H-7.

REFERENCES

See Pages H-7 for Temperature Profiles and Limitations. See Page H-36 for start of Accessories.

DATA

Approximate Net Weight	lbs	kgs
Pendant with guard	12	305
Ceiling with guard	12	305
Wall bracket with guard	15	381
Angle stanchion	15	381

Photometrics

With globe	35-178472
With globe and standard reflector	35-178473