



# ULTRA★SPORT™ FLOODLIGHT

## APPLICATIONS

- IESNA Class III to major stadia where premium quality lighting and excellent glare control are required.
- Large stadia and indoor arenas where color TV (CTV) recording and broadcasting will be common, and excellent color and vertical illumination are required.
- Sports fields and arenas where optional instant hot restart is desired.

## SPECIFICATION FEATURES

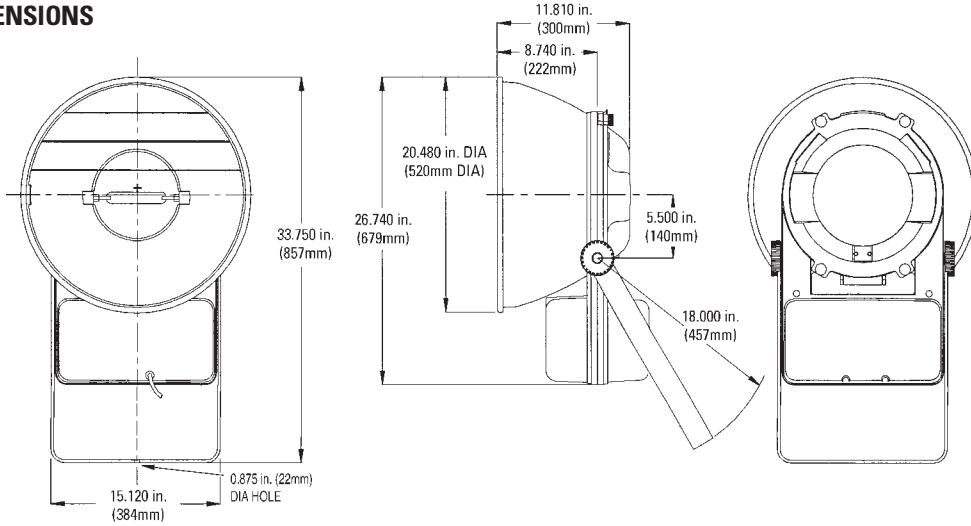
- 1598 Listed
- **Suitable For Wet Locations**
- Standard construction is IP55.
- High reflectance coated glass primary reflector, ALGLAS® finish on 20-inch (508mm) diameter aluminum front secondary reflector
- Optional internal glare/spill light control arc cutoff skirts
- Rear re-lamping door with corrosion-resistant fasteners and lamp power disconnect
- Broken Glass Shutdown Circuit
- Optional Instant Hot Restart
- Compact die-cast aluminum integral ballast housing with thermally isolated optical
- Utilizes advanced 2000, 1500 and 1000 watt double-ended metal halide lamps
- Hydro★Gard™ advanced filtering system
- Remote ballast system available—contact factory
- Magnapack packaging available

## ORDERING NUMBER LOGIC

PRODUCT IDENT	WATTAGE	LIGHT SOURCE	VOLTAGE	BALLAST TYPE	OPTICAL	OPTIONS
XXXX	XX	X	X	X	XXX	XXX
<b>ULTS = Ultra★Sport</b> (See Note #1) <b>ULTK =</b> Ultra★Sport with Instant Hot Restart (See Note #1, 4, 5) <b>ULTI = Ultra★Sport</b> Indoor Remote Ballast (See Note #2) <b>ULTR = Ultra★Sport</b> Indoor Remote Ballast with Instant Hot Restart Max. Ambient 40°C 1500W (See Note #2, 4, 5) <b>ULTO = Ultra★Sport</b> Outdoor Remote Ballast (See Note #1) <b>ULTT = Ultra★Sport</b> Outdoor Remote Ballast with Instant Hot Restart (See Note #1, 2, 4, 5) <b>ULTE = Ultra★Sport with</b> Integral Encapsulated Ballast. (See Note #3)	01 = 1000 51 = 1500 02 = 2000	<b>M = MH</b> NOTE: Lamp orientation is horizontal ±4 degrees Standard: Lamp installed in socket.	60Hz 0 = 120/208/ 240/277 Multivolt 1 = 120 2 = 208 3 = 240 4 = 277 5 = 480 D = 347 T = 220  50Hz 6 = 220 R = 230 Y = 240	See Ballast and Photometric Selection Table  <b>A = Autoreg</b>  <b>B = System 2™ Bi-Level</b> Controls Autoreg (see Technical Section) NOTE: Not available with ULTK, ULTR, or ULTT (Hot Restart)  <b>K = Hot</b> Restart for ULTE	<b>S01 = Stadium Oval without</b> Internal Glare Control (NEMA 4X2) <b>S02 = Stadium Oval with</b> Internal Glare Control (NEMA 4X2) <b>M01 = Medium Oval without</b> Internal Glare Control (NEMA 4X2) <b>M02 = Medium Oval with</b> Internal Glare Control (NEMA 4X2) <b>W01 = Wide Oval without</b> Internal Glare Control (NEMA 5X3) <b>W02 = Wide Oval with</b> Internal Glare Control (NEMA 5X3) <b>WW1 = Extra wide oval without</b> Internal Glare Control (NEMA 5X4) <b>WW2 = Extra wide oval with</b> Internal Glare Control (NEMA 5X4)	<b>F = Fusing</b> (Not available with multivolt nor with Instant Hot Restart) <b>P = Pre-wired</b> with 6-ft (2M) #14/3
NOTE: Hot Restart option available in 1500 watt and 2000 watt only. 2000 watt Remote Ballast version is non-UL.						
NOTE: 1. Outdoor Use only 2. Max 55°C ambient 3. Contact factory 4. Must have "P" option. 5. Multivolt not offered.						

# ULTRA★SPORT™ FLOODLIGHT

## DIMENSIONS



ULTRA★SPORT FLOODLIGHTING

## DATA

Approximate Net Weight	lbs	kgs
ULTS	75	34
ULTK, ULTE	80	36.3
Effective Projected Area	sq ft max	sq M max
ULTO, ULTI	55	25
ULTT, ULTR	60	27.2

## BALLAST AND PHOTOMETRIC SELECTION TABLE

All light sources are clear unless otherwise indicated.

Wattage	Light Source	Ballast Type All Voltages	Socket Position	Photometric Curve Number 35-xxxxxx (Actual Beam Angle in Degrees)							
				S01	S02	M01	M02	W01	W02	WW1	WW2
1000†	MH	A	Fixed	450423 (46x20)	450424 (50x20)	450425 (47x20)	450426 (45x19)	450427 (77x30)	450428 (82x35)	450682 (52x41)	450681 (69x48)
1500	MH	A,B**	Fixed	452810	452811	452812	452813	452814	452815	452816	452817
2000*	MH	A,B**	Fixed	179085 (61x21)	179086 (65x22)	179087 (64x24)	179088 (70x24)	179089 (81x38)	179090 (81x37)	179412 (73x53)	179413 (74x54)

**NOTE:** † Not available in 220 volt or in Hot Restart versions.

\*Not available in multivolt or single 120 volt.

\*\*Bi-Level not available with Instant Hot Restart

## REFERENCES

See Page F-30 for start of Accessories.

See Pages F-44 for Explanation of Options and Other Terms Used.

See Pole and Bracket Section Page P-2 for pole selection.