



SBF, SBN POWERFLOOD® FLOODLIGHT

APPLICATIONS

- Signage, facades, landscape lighting, building mounted focal points and flag lighting
- Residential, small scale commercial and industrial applications
- Ideal for situations where an easy-to-conceal floodlight with either wide beam or narrow beam photometrics is needed.

SPECIFICATION FEATURES

- 1598 Listed
- **Suitable For Wet Locations**
- Standard construction is IP55.
- Heavy duty die-cast aluminum housing
- Dark bronze electrocoat paint finish inside and out
- Enclosed and gasketed with Alzak† finished aluminum reflector and tempered glass lens
- Wide beam and narrow beam optics for medium base HID lamps
- HPF or NPF ballasts available
- 1/2-inch ID threaded swivel mount
- Medium base HPS or metal halide lamps
- Lamp included
- Corrosion-resistant hardware

ORDERING NUMBER LOGIC

PRODUCT IDENT	WATTAGE	LIGHT SOURCE	VOLTAGE	BALLAST TYPE	PE FUNCTION
XXX	XX	X	X	X	X
SBF = Wide Beam SBF Powerflood Floodlight	03 = 35 05 = 50 07 = 70	S = HPS M = MH Standard: Lamp installed in socket.	0 = 120/208/240/277 Multivolt 1 = 120 2 = 208 3 = 240 4 = 277 5 = 480 D = 347 F = 220x347	See Ballast and Photometric Selection Table A = Autoreg (175W Metal Halide only) H = HPF Reactor or Lag N = NPF Reactor or Lag	PE = PE (if required)
SBN = Narrow Beam SBF Powerflood Floodlight	10 = 100 15 = 150 (55V) 17 = 175				

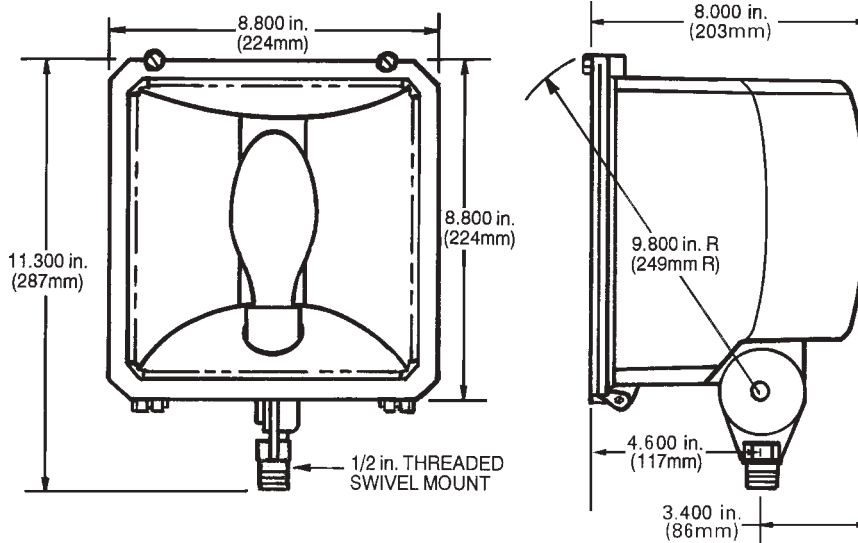
REFERENCES

See Page F-30 for start of Accessories.
 See Pages F-45 for Explanation of Options and Other Terms Used.
 See Pole and Bracket Section Page P-2 for pole selection.

SBF, SBN POWERFLOOD® FLOODLIGHT

SBF, SBN POWERFLOOD FLOODLIGHTING

FIXTURE DIMENSIONS



DATA

Approximate Net Weight	10-15 lbs	4-6 kgs
Effective Projected Area	.8 sq ft max	.074 sq M max
Suggested Mounting Height	0-20 ft	0-6 M

BALLAST AND PHOTOMETRIC SELECTION TABLE

All light sources are clear unless otherwise indicated.

Wattage	Light Source	Ballast Type/Voltage			NEMA Type Beam Spread Horiz X Vert (Degrees)	Photometric Curve Number 35-17 - - - -
		Multi-volt	120, 208, 240, 277, 480	347		
SBF						
35**	HPS	N/A	H, N*	N/A	6X6 (121X116)	7137
50, 70, 100, 150 (55V)	HPS	H, N	H, N	H,N	6X6 (126X116)	7138
70, 100	MH	H	H, N	H,N	6X6 (126X117)	7469
175	MH	A	A	A	6X6 (126X117)	7469
SBN						
35**	HPS	N/A	H, N*	N/A	C/F	C/F
50, 70, 100, 150 (55V)	HPS	H, N	H, N	H,N	3X4 (33X67)	8553
70, 100	MH	H	H, N	H,N	3X4 (34X56)	8572
175	MH	A	A	A	3X4 (34X56)	8572

NOTE: N/A = Not available C/F = Contact Factory
 *120 volt only for 35 watt (480 volt available for all others)
 **Not available in 347 volt or 120X347 volt