

QUARTZ-FLOOD FLOODLIGHT



QUARTZ-FLOOD FLOODLIGHTING

APPLICATIONS

- Building facades, signs, sports fields, and other general floodlighting applications
- Emergency and temporary floodlighting applications
- Particularly suited where instant on light, high color rendition, or low initial cost is important.

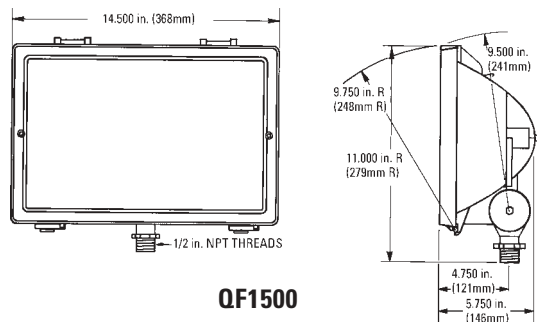
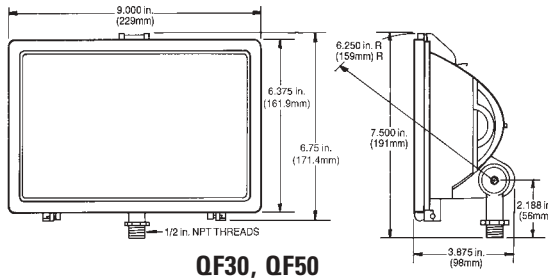
SPECIFICATION FEATURES

- / 1598 Listed
- **Suitable For Wet Locations**
- Standard construction is IP55.
- Die-cast aluminum construction
- Tempered glass door
- Hinged front door
- Alzak[®] finish on aluminum reflector
- One-half inch threaded swivel mount
- Dark bronze or white finish
- 25°C maximum ambient temperature

ORDERING NUMBERS

ORDERING NUMBER	WATTAGE	LIGHT SOURCE	LAMP	COLOR
QF30DB	300	Filament (Quartz-Halogen)	Included-120V	Dark Bronze
QF50DB	500	Filament (Quartz-Halogen)	Included-120V	Dark Bronze
QF1500	1500	Filament (Quartz-Halogen)	Not included	Dark Bronze

FIXTURE DIMENSIONS



DATA

Approximate Net Weight	lbs	kgs	
	QF30, QF50	2.5	1
	QF1500	8.0	4
Effective Projected Area	QF30, QF50	.5 sq ft max	.46 sq M max
	QF1500	1.5 sq ft max	.10 sq M max

PHOTOMETRIC SELECTION TABLE

Wattage	Light Source	NEMA Type Beam Spread Horiz X Vert (Degrees)	Photometric Curve Number 35-17 - - -
300	Q300T3/CL	6X5 (110X89)	7546
500	Q500T3/CL/120	6X5 (117X89)	6555
1500	Q1500T3/CL	6X5 (126X88)	7357

REFERENCES

See Page F-30 for start of Accessories.
See Pages F-45 for Explanation of Options and Other Terms Used.