



POWR-SPOT® ULC®

APPLICATIONS

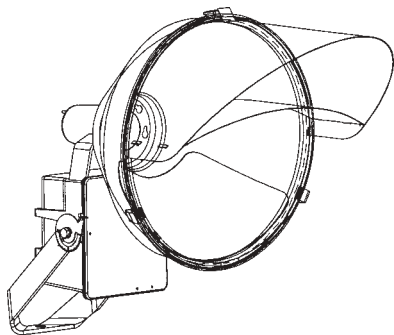
- Recreational and competition sports fields at all levels.
- General floodlighting where long setbacks or high mountings require maximum optical performance.
- Especially suitable at sites requiring glare reduction and light trespass limitation.

SPECIFICATION FEATURES

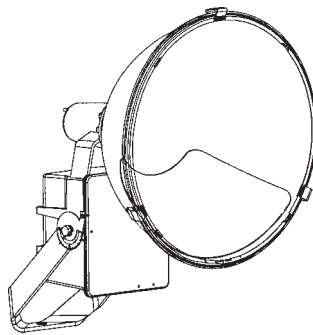
- 1598 Listed
- **Suitable For Wet Locations**
- Standard construction is IP55.
- Die-cast aluminum ballast housing with acrylic electrocoat gray paint finish inside and out
- Enclosed, gasketed, filtered optical with configured, ALGLAS® finish on 20-inch (508mm) diameter aluminum reflector and tempered glass closure
- Thermal separation of ballast from socket and lamp
- Removable cover for access to ballast and wiring compartment
- No-weep-hole condensate drain when aimed down
- Built-in cable and strain relief bushing
- Heavy gauge steel trunnion with aiming reset stop
- Corrosion-resistant hardware
- Remote ballasted system available – contact factory
- Mogul base socket – E39 standard

ORDERING NUMBER LOGIC

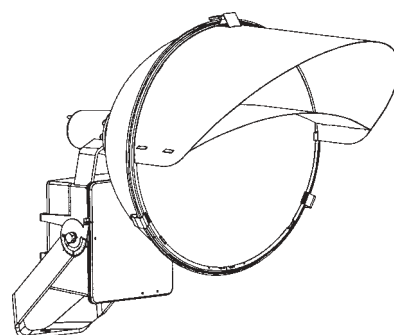
PRODUCT IDENT	WATTAGE	LIGHT SOURCE	VOLTAGE	BALLAST TYPE	TRUNNION TYPE	REFLECTOR IDENT	OPTICAL REFLECTOR	OPTIONS
XXXX	XX	X	X	X	X	XX	XXX	XXX
ULGC = PowrSpot III Floodlight with 20-in. (508mm) diameter Reflector with Internal Light Diverter and External ULC Visor Mounted on Door	40 = 400 75 = 750 01 = 1000 51 = 1500	S = HPS M = MH Standard: Lamp not included.	60Hz 0 = 120/208/ 240/277 Multivolt 1 = 120 2 = 208 3 = 240 4 = 277 5 = 480 D = 347 T = 220	A = Autoreg	1 = Straight 2 = Angled 3 = Long (for SportsStar)	Select ID. from Photometric Selection Table. B0 C0 D0 E0	See Dimensions HD0 = Heavy Duty 20-in. (508mm) Diameter GP0 = General Purpose 20-in. (508mm) Diameter	F = Fusing (Not available with multivolt) P = Pre-wired with 6-ft (2M) #14/3
ULGN = PowrSpot III Floodlight with 20-in. (508mm) diameter Reflector with Internal Light Diverter only			50Hz 6 = 220 Y = 240					
ULGV = PowrSpot III Floodlight with 20-in. (508mm) diameter Reflector with Standard Reflector and ULC Top Visor Mounted on Door								



ULGC



ULGN

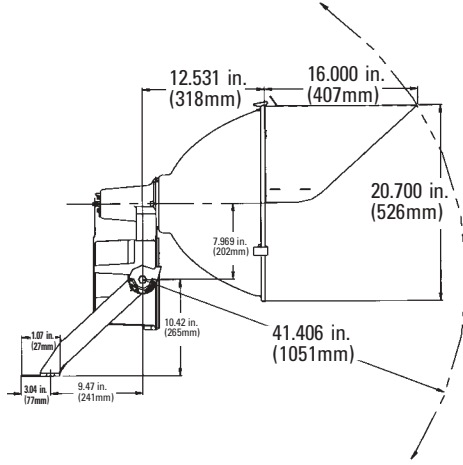


ULGV

POWR-SPOT® ULC®

DIMENSIONS

DOTTED LINE—HEAVY DUTY OPTICAL
SOLID LINE—GENERAL PURPOSE OPTICAL



POWR-SPOT FLOODLIGHTING

DATA

Approximate Net Weight	55-65 lbs	25-29 kgs
Effective Projected Area		
ULGN	2.7* sq ft max	.24* sq M max
ULGV, ULGC	3.0 sq ft max	— sq M max
*When aimed 30° down		

BALLAST AND PHOTOMETRIC SELECTION TABLE

All light sources are clear unless otherwise indicated.

Product ID	Wattage	Light Source	Ballast Type All Voltages*	Designate 20-inch (508mm) Reflector by Reflector ID.			
				Photometric curve number 35-xxxxxx and actual Beam Angle in degrees			
				B0 = 3X3	C0 = 4X4	D0 = 5X5	E0 = 6X6
ULGC	1000	MH	A	452798(39X32)	452797(53X41)	452796(74X70)	452795(108X91)
	1500	MH	A	452765(41X38)	452763(41X33)	452764(65X55)	452762(87X88)
ULGN	1000	MH	A	452799(40X32)	452800(54X43)	452801(71X68)	452802(106X109)
	1500	MH	A	452769(42X34)	452768(54X43)	452767(65X60)	452766(104X103)
ULGV	1000	MH	A	452806(38X36)	452805(54X49)	452804(85X76)	452803(107X93)
	1500	MH	A	452773(41X40)	452772(52X46)	452771(63X58)	452770(86X88)

NOTE: N/A = Not Available

*347 volts not available in multivolt.

NOTE: For indoor indirect lighting applications with 1000 watt or greater, GELS recommends replacing tempered front glass lens with wire guard accessory WG-PSFO.

NOTE: Contact factory for other lamps and wattages.

REFERENCES

See Page F-30 for start of Accessories.

See Pages F-44 for Component Ordering Logic.

See Pages F-45 for Explanation of Options and Other Terms Used.

See Pole and Bracket Section Page P-2 for pole selection.