



POWR-SPOT® FLOODLIGHT with Glare Reduction

APPLICATIONS

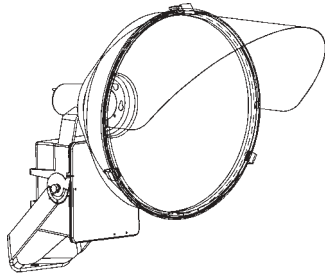
- Recreational and competition sports fields at all levels.
- General floodlighting where long setbacks or high mountings require maximum optical performance.
- Especially suitable at sites requiring glare reduction and light trespass limitation.

SPECIFICATION FEATURES

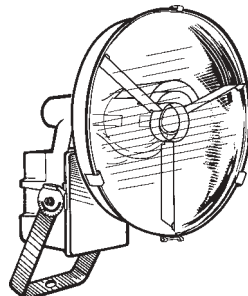
- 1598 Listed
- **Suitable For Wet Locations**
- Standard construction is IP55.
- Die-cast aluminum ballast housing with acrylic electrocoat gray paint finish inside and out
- Enclosed, gasketed, filtered optical with configured, ALGLAS® finish on 20-inch (508mm) diameter aluminum reflector and tempered glass closure
- Thermal separation of ballast from socket and lamp
- Removable cover for access to ballast and wiring compartment
- No-weep-hole condensate drain when aimed down
- Built-in cable and strain relief bushing
- Heavy gauge steel trunnion with aiming reset stop
- Corrosion-resistant hardware
- Position oriented socket available for “minimum” tilt factor lamp–contact factory
- Remote ballasted system available – contact factory
- Mogul base socket – E39 standard

ORDERING NUMBER LOGIC

PRODUCT IDENT	WATTAGE	LIGHT SOURCE	VOLTAGE	BALLAST TYPE	TRUNNION TYPE	REFLECTOR IDENT	OPTICAL REFLECTOR	OPTIONS
XXXX	XX	X	X	X	X	XX	XXX	XXX
PSGN = PowrSpot III Floodlight with 20-in. (508mm) diameter Reflector and with Internal Glare Reduction Louvers Mounted on Door	40 = 400 75 = 750 01 = 1000 51 = 1500	S = HPS M = MH Standard: Lamp not included.	60Hz 0 = 120/208/ 240/277 Multivolt 1 = 120 2 = 208 3 = 240 4 = 277 5 = 480 D = 347 T = 220 50Hz 6 = 220 Y = 240	See Ballast and Photometric Selection Table A = Autoreg	1 = Straight 2 = Angled 3 = Long (for SportsStar)	Select ID. from Ballast and Photometric Selection Table. B0 C0 D0 E0	See Dimensions HD0 = Heavy Duty 20-in. (508mm) Diameter GP0 = General Purpose 20-in. (508mm) Diameter	F = Fusing (Not available with multivolt nor with Instant Hot Restart) P = Pre-wired with 6-ft (2M) #14/3
PSGV = PowrSpot III Floodlight with 20-in. (508mm) diameter Reflector and with External Glare Reduction Visor Mounted on Door								



PSGV

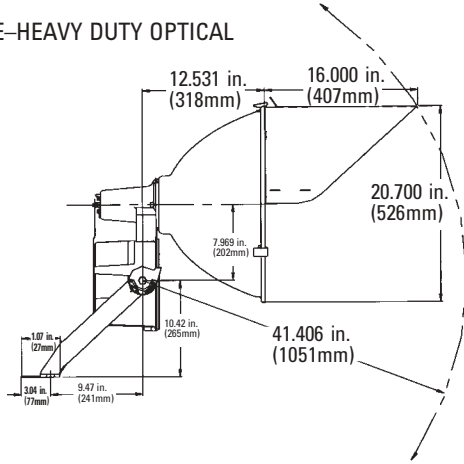


PSGN

POWR-SPOT® FLOODLIGHT with Glare Reduction

DIMENSIONS

SOLID LINE
DOTTED LINE—HEAVY DUTY OPTICAL



POWR-SPOT FLOODLIGHTING

DATA

Approximate Net Weight	55-65 lbs	25-29 kgs
Effective Projected Area		
PSGN	2.7* sq ft max	.24* sq M max
PSGV, PSGC	3.0 sq ft max	.28 sq M max
*When aimed 30° down		

BALLAST AND PHOTOMETRIC SELECTION TABLE

All light sources are clear unless otherwise indicated.
All Ballast are Autoreg

Product ID	Wattage	Light Source	Designate 20-inch (508mm) Reflector by Reflector ID.				
			Photometric curve number 35-xxxxxx and Beam Angle in degrees				
			A2	B0	C0	D0	E0
PSGN	400	HPS	N/A	450593 (37X30)	450401 (50X39)	450575 (60X49)	450560 (76X64)
	750	HPS	N/A	N/A	N/A	450535 (73X53)	450538 (105X78)
	400	MH	N/A	450524 (31X27)	450337 (54X19)	450529 (99x74)	N/A
	1000	MH	452775 (23X22)	452788 (39x36)	452787 (55X50)	452790 (86X67)	452789 (107x91)
	1500	MH	452742 (23X22)	452754 (43X37)	452757 (60X49)	452756 (61X52)	452755 (104X91)
PSGV	400	HPS	N/A	450329 (37X34)	179263 (52X47)	450327 (61X57)	450328 (81X74)
	750	HPS	N/A	N/A	N/A	450533 (79X75)	450536 (105X96)
	400	MH	N/A	450331 (31X29)	450332 (57X48)	N/A	450330 (90X79)
	1000	MH	452774 (23X23)	452791(40X41)	452792 (55X55)	452794 (84X75)	452793 (111X97)
	1500	MH	452747 (24X23)	452761 (41X40)	452760 (57X53)	452758 (62X59)	452759 (94X91)
PSGC	1000	MH	452776 (22X22)	452786 (40X34)	452783 (56X48)	452785 (88X65)	452784 (108X89)
	1500	MH	452749 (23X22)	452753 (41X33)	452752 (56X44)	452751 (61X49)	452750 (85X80)

NOTE: N/A = Not Available
*347 volts not available in multivolt.

NOTE: For indoor indirect lighting applications with 1000 watt or greater, GELS recommends replacing tempered front glass lens with wire guard accessory WG-PSFO.

REFERENCES

See Page F-30 for start of Accessories.
See Pages F-44 for Component Ordering Logic.
See Pages F-45 for Explanation of Options and Other Terms Used.
See Pole and Bracket Section Page P-2 for pole selection.