



## PF-1000 POWERFLOOD® FLOODLIGHT

### APPLICATIONS

- Parking lots, industrial yards and sports stadiums
- Construction sites, high mast roadway interchanges, car lots and airport aprons

### SPECIFICATION FEATURES

- 1598 Listed
- **Suitable For Wet Locations**
- Standard construction is IP55.
- Heavy-duty (NEMA) die-cast housing
- Total front access via hinged and removable door
- Enclosed, gasketed and sealed, and activated - charcoal filtered optical assembly
- Heavy-gauge galvanized steel trunnion
- Corrosion resistant hardware
- Sight track for daytime aiming
- Aiming degree indicator
- NEMA lamp/wattage decal
- Mogul base socket – E39 standard
- Internal glare shield with cutoff optic performance (HPS only) – see Accessories
- Vertical and horizontal lamp orientations
- Terminal board
- Heat & shock resistant tempered glass lens

### ORDERING NUMBER LOGIC

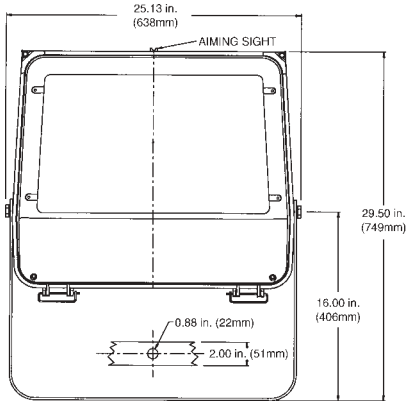
PRODUCT IDENT	WATTAGE	LIGHT SOURCE	VOLTAGE	BALLAST TYPE	PE FUNCTION	NEMA TYPE BEAM SPREAD HORIZ X VERT	COLOR	OPTIONS
XXXX PF1K = PF-1000 Powerflood Floodlight	XX 75 = 750 01 = 1000	X S = HPS M = MH Standard: Lamp not included.	X 60Hz 0 = 120/208/ 240/277 Multivolt 1 = 120** 2 = 208 3 = 240 4 = 277 5 = 480 D = 347 F = 120X347* T = 220  50Hz 6 = 220 R = 230 Y = 240**  *Connected for 120V **120V 1000MH A-Reg not CSA or CUL	X See Ballast and Photometric Selection Table  A = Autoreg M = Mag-Reg	X 1 = None 2 = PE Receptacle  NOTE: Receptacle connected same voltage as unit.  Order PE Control separately.	XXX See Ballast and Photometric Selection Table. 6X2 = 6X2 6X3 = 6X3 6X5 = 6X5 6X6 = 6X6 6X7 = 6X7 7X7 = 7X7 7X6 = 7X6 (Vertical lamp)	XX DB = Dark Bronze (Standard) GR = Gray	XXX F = Fusing (Not available with multivolt or 120X347V) J = Line Surge Protector, Expulsion Type K = Knuckle slipfitter for 1.9-2.38 inch (48-60mm) OD Tenon L = Latch for door P = Prewired with 6 ft (2M) #14/3 S = Knuckle Slipfitter for 1.9-3.0 in. (48-76mm) OD Tenon V = Knuckle Wall mount

# PF-1000 POWERFLOOD® FLOODLIGHT

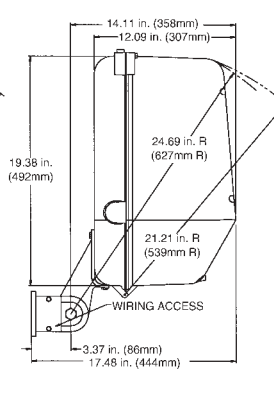
PF-1000 POWERFLOOD FLOODLIGHTING

## FIXTURE DIMENSIONS

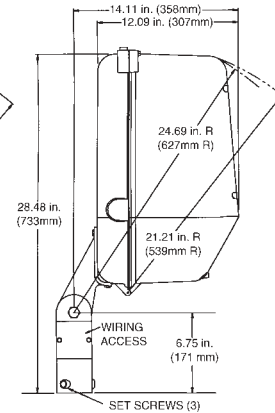
### TRUNNION MOUNTED (Standard)



### KNUCKLE WALL MOUNTED (Option V)

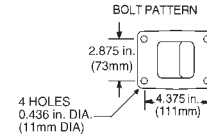


### SLIPFITTER MOUNTED (Options K and S)



## DATA

Approximate Net Weight	750 watt	lbs 55-61	kgs 21-23
	1000 watt	61-65	23-24
Effective Projected Area	3.0 sq ft max		
Suggested Mounting Height	20-150 ft		
		.279 sq M max	
		7-50 M	



## BALLAST AND PHOTOMETRIC SELECTION TABLE

All light sources are clear unless otherwise indicated.

Wattage	Light Source	Ballast Type All Voltages†	NEMA Type Beam Spread Horiz X Vert (Degrees)	Photometric Curve Number 35-17 - - - -
750	HPS	A**,H	6X5 (102X78)	9537
750	HPS	A**,H	6X6 (127X108) vertical lamp	9867 vertical lamp
750	HPS	A**,H	7X7 (132X143)	8681
1000	HPS	A	6X2 (106X20)	7749
1000	HPS	A	6X3 (108X37)	7748
1000	HPS	A	6X5 (109X81)	7799
1000	HPS	A	7X6 (133X117) vertical lamp	9857 vertical lamp
1000	HPS	A	7X7 (135X145)	7746
1000	MH	A	7X7 (139X139)	9497
		A	7X6 (135X112) vertical lamp	9499 vertical lamp
		A	6X5 (121X98)	9498

\*\*Multivolt not available.

†220V, 60Hz and all 50Hz voltages available 1000 Watt Autoreg only.

## REFERENCES

See Page F-30 for start of Accessories.

See Pages F-44 for Component Ordering Logic.

See Pages F-45 for Explanation of Options and Other Terms Used.

See Pole and Bracket Section Page P-2 for pole selection.