



## P-154 POWERFLOOD® FLOODLIGHT

### APPLICATIONS

- Parking lots, building security, building facades, recreation areas and many other outdoor area applications
- Anywhere a compact 70 to 400 watt, floodlight is needed.
- Easy to hide for facade, entrance and identification sign lighting.

### SPECIFICATION FEATURES

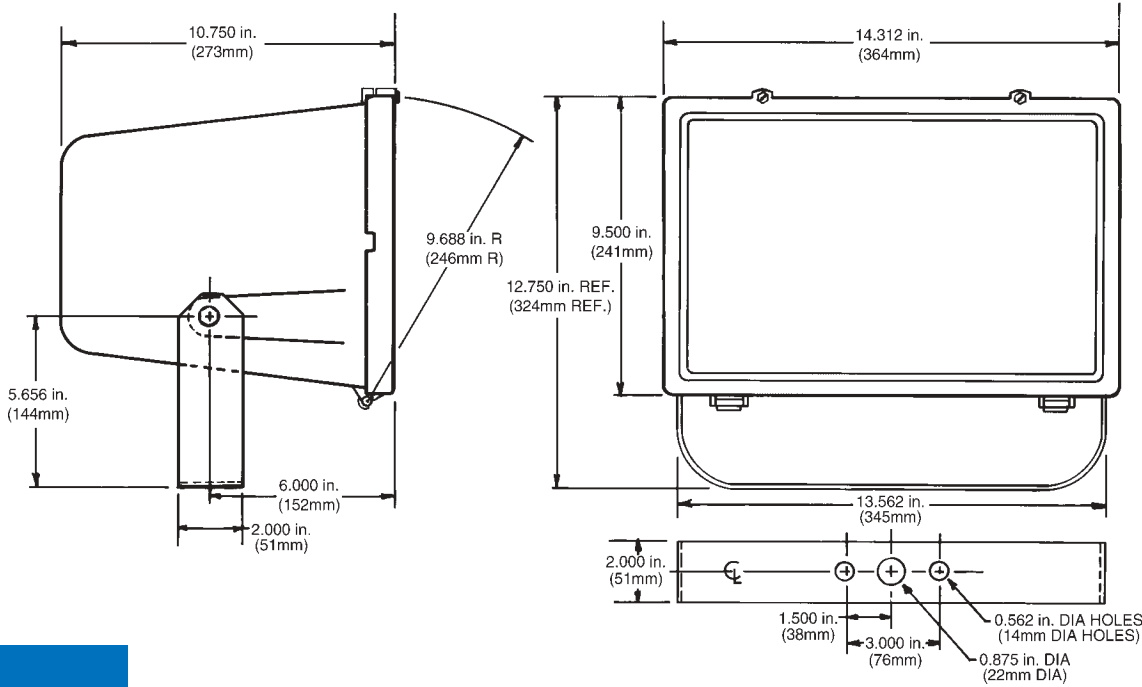
- 1598 Listed
- **Suitable For Wet Locations**
- Standard construction is IP55.
- Heavy duty die-cast aluminum housing
- Heat and shock resistant tempered glass
- Heavy-gauge steel trunnion
- Corrosion-resistant hardware
- Hinged front door, secured with two corrosion-resistant screws
- Mogul base socket – E39 standard
- Terminal board
- UL1572 Outdoor Salt Water Marine and UL844 available – see Hazardous Location Lighting Section

### ORDERING NUMBER LOGIC

PRODUCT IDENT	WATTAGE	LIGHT SOURCE	VOLTAGE	BALLAST TYPE	PE FUNCTION	NEMA TYPE BEAM SPREAD HORIZ X VERT	COLOR	OPTIONS
XXXX	XX	X	X	X	X	XXX	XX	XXX
P54S = P-154	07= 70 10= 100 15= 150 (55V) 17= 175 20= 200 24= 250/ 400* 25= 250 40= 400  *Connected for 250V. Not available Multivolt	S = HPS M = MH or Merc  CAUTION: For 400W MH, an E-18 or ED-28 lamp must be used. Standard: Lamp not included.	60Hz 0 = 120/208/ 240/277 Multivolt* 1 = 120 2 = 208 3 = 240 4 = 277 5 = 480 D = 347 F = 120X347* T = 220  50Hz 6 = 220 R = 230 Y = 240  *Connected for 120V *250 X 400 HPS or MH Multivolt not available	See Ballast and Photometric Selection Table  A = Autoreg G = Mag-Reg with Grounded Socket Shell H = HPF Reactor or Lag M = Mag-Reg P = CWI with Grounded Socket Shell	1 = None 2 = PE Receptacle  NOTE: Receptacle connected same voltage as unit. Order PE Control separately.	Select NEMA Type from Photometric Selection Table  Example: 7X6 = 7X6	DB = Dark Bronze	F = Fusing (Not available with multivolt or 120X347 volt) G = Top Trunnion L = Latch for door P = Prewired with 6 ft. (2M) #14/3 Y = Dual Wattage Units Connect Higher Wattage

# P-154 POWERFLOOD® FLOODLIGHT

## FIXTURE DIMENSIONS



## DATA

Approximate Net Weight	23-25 lbs	10-11 kgs
Effective Projected Area	1.0 sq ft max	.09 sq M max
Suggested Mounting Height	15-60 ft	5-18 M

## BALLAST AND PHOTOMETRIC SELECTION TABLE

All light sources are clear unless otherwise indicated.

Wattage	Light Source	Ballast Type/Voltage							NEMA Type Beam Spread Horiz X Vert (Degrees)	Photometric Curve Number 35-17 - - - -
		60Hz				50Hz				
		Multivolt	120, 208, 240, 277, 480	347, 120x347	220	220	230	240		
70, 100, 150 (55V)	HPS	H	H, M***	H, G	H	H	H	H	6X6(126X128)	7346
175,250	MH	A	A	A	A	N/A	N/A	N/A	7X6(136X129)	7344
175,250	MH (Coated)	A	A	A	A	N/A	N/A	N/A	7X7(144X145)	7345
200	HPS	A	A	N/A	N/A	N/A	N/A	N/A	7X6(134X127)	7347
250,400	HPS	A, P	A, P	A, P	A	A	A	A	7X6(134X127)	7347
250/400**	HPS	A	A	N/A	N/A	N/A	N/A	N/A	7X6(134X127)	7347
250	MH or Merc	A	A	A	A	A	A	A	7X6(136X129)	7344
400*	MH	A	A	A	N/A	N/A	N/A	N/A	7X6(131X120)	7455

**NOTE:** \*Lamp for 400 watt MH fixture must be E-18 or ED-28 only  
 \*\*250/400 dual wattage not available in 347 volt  
 \*\*\*For 150 watt and below, 480V - Use "M" ballast only.  
 N/A = Not Available

## REFERENCES

See Page F-30 for start of Accessories.  
 See Pages F-45 for Explanation of Options and Other Terms Used.  
 See Pole and Bracket Section Page P-2 for pole selection.