



## MPF POWERFLOOD® FLOODLIGHT

### APPLICATIONS

- Residential, lower wattage commercial and industrial applications
- Building perimeters, entrances, building facades and sign lighting

### SPECIFICATION FEATURES

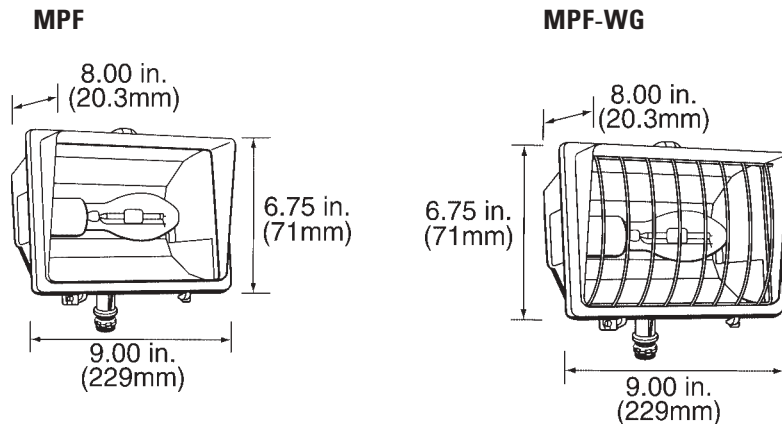
- / 1598 Listed
- **Suitable For Wet Locations**
- Standard construction is IP55.
- Heavy-duty die-cast aluminum housing
- 1/2 inch threaded swivel mount fits all standard boxes
- Medium base high pressure sodium and metal halide lamps
- No-tool relamping
- Corrosion-resistant hardware
- Alzak<sup>®</sup> finish on reflector
- Lamp included
- Heat & shock resistant tempered glass

### ORDERING NUMBERS

WATTAGE	LIGHT SOURCE	VOLTAGE	ORDERING NUMBER*	TYPE BALLAST	COLOR***	NEMA TYPE BEAM SPREAD HORIZ X VERT (DEGREES)	PHOTOMETRIC CURVE 35-17 - - - -
50	HPS	120	<b>MPF05S1NDB</b>	NPF	Dark Bronze	<b>6X6</b> (110X119)	9637
70	HPS	120	<b>MPF07S1NDB</b>	NPF	Dark Bronze	<b>6X6</b> (110X119)	9637
100	HPS	120	<b>MPF10S1NDB</b>	NPF	Dark Bronze	<b>6X6</b> (110X119)	9637
150	HPS	120	<b>MPF15S1NDB</b>	NPF	Dark Bronze	<b>6X6</b> (110X119)	9637
50	MH	120	<b>MPF05M1NDB</b>	NPF	Dark Bronze	<b>6X6</b> (117X123)	9638
70	MH	120	<b>MPF07M1NDB</b>	NPF	Dark Bronze	<b>6X6</b> (117X123)	9638

**NOTE:** \*Change third letter "F" to "G" for floodlight with guard  
 DB = Dark Bronze  
 For PE Control field install PEK120 kit

### FIXTURE DIMENSIONS



### DATA

**Approximate Net Weight**      6 lbs (3 kgs)  
**Suggested Mounting Height**      0-20 ft (0-6 M)

### REFERENCES

See Pages F-45 for Explanation of Options and Other Terms Used.