



GLAREFIGHTER™ ASYMMETRIC FLOODLIGHT

APPLICATIONS

- Parking lots, building security, shipping yards, rail yards, and many more floodlighting applications.
- Engineered for situations requiring high performance **with low aiming angle and reduced glare optics.**

SPECIFICATION FEATURES

- 1598 Listed
Suitable For Wet Locations
- Standard construction is IP55.
- Die-cast aluminum housing with electrocoat paint finish
- Enclosed, gasketed and activated-charcoal filtered optical assembly
- Hydroformed aluminum reflector with ALGLAS® finish
- Designed for low aiming angles and low glare applications
- Heavy duty steel trunion with degree indicator
- Built-in "Sight-Track", quick aiming sight
- Heat and shock resistant tempered glass lens
- Front access via hinged/removable door
- Corrosion-resistant external hardware
- Terminal board
- Mogul base socket – E39 standard

ORDERING NUMBER LOGIC

PRODUCT IDENT	WATTAGE	LIGHT SOURCE	VOLTAGE	BALLAST TYPE	PE FUNCTION	NEMA TYPE BEAM SPREAD HORIZ X VERT	COLOR	OPTIONS
XXXX	XX	X	X	X	X	XXX	XX	XXX
GFPS = Glarefighter Standard	15= 150 (55V) 17= 175 20= 200 24= 250/400 25= 250 40= 400	S = HPS M = MH Standard: Lamp not included.	60Hz 0 = 120/208/ 240/277 Multivolt 1 = 120 2 = 208 3 = 240 4 = 277 5 = 480 D = 347 F = 120X347* T = 220 50Hz 6 = 220 R = 230 Y = 240 *Connected for 120V	See Ballast Selection Table A = Autoreg G = Mag-Reg with Grounded Socket Shell H = HPF Reactor or Lag M = Mag-Reg	1 = None 2 = PE Receptacle NOTE: Receptacle connected same voltage as unit. Order PE Control separately.	Select NEMA Type from Photometric Selection Table Example: 6X6 = 6X6	DB = Dark Bronze (Standard) GR = Gray	F = Fusing (Not available with multivolt or 120X347V) G = Top Trunion J = Line Surge Protector, Expulsion Type K = Knuckle Slipfitter for 1.9-in. to 2.38-in. (48-60 mm) OD Tenon L = Latch for door P = Prewired with 6 ft (2 meters) #14/3 S = Knuckle Slipfitter for 1.9 to 3.0 in. (48-76mm) OD Tenon V = Knuckle Wall Mount Y = Dual Wattage Units Connect Higher Wattage
GFPT = With Tray Mounted Ballast NOTE: 200-400W Mag-Reg not available on tray.	NOTE: 250/400 connected for 250W (HPS only)							

PHOTOMETRIC SELECTION TABLE

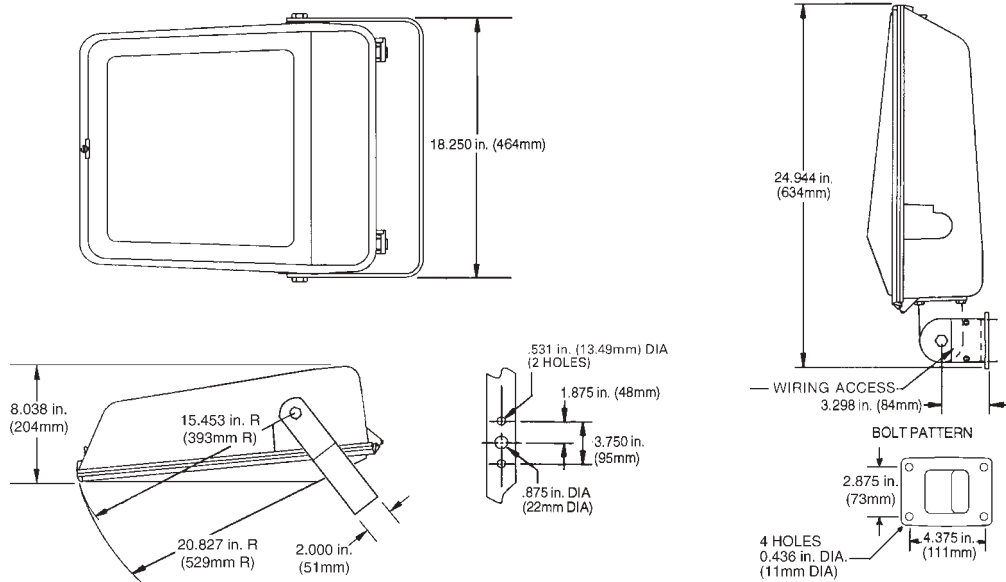
All light sources are clear unless otherwise indicated.

Wattage	Light Source	NEMA Type Beam Spread Horizontal X Vertical (Degrees)	Photometric Curve Number 35-17 - - - -
150 (55V)	HPS	7X6 (131X108)	9872
200	HPS	6X6 (127X112)	9873
250	HPS	6X6 (126X113)	9874
400	HPS	6X6 (125X108)	9876
175	MH	7X6 (140X112)	9877
250	MH	7X6 (132X113)	9878
400*	MH	6X6 (130X144)	9879

NOTE: *Lamp for 400 watt MH must be E-18 or ED-28 (reduced envelope) only.
For cutoff at aiming angles 15° or less, order accessory TSV**P4F separately.

GLAREFIGHTER™ ASYMMETRIC FLOODLIGHT

FIXTURE DIMENSIONS



NOTE: Position illustrated is not recommended for Glarefighter applications. This illustration should only be used for dimensional purposes.

DATA

Approximate Net Weight	45 lbs	20 kgs
Effective Projected Area	1.5 sq ft max	.14 sq M max
Suggested Mounting Height	20-60 ft	6-18 M

BALLAST SELECTION TABLE

Wattage	Light Source	Ballast Type/Voltage						
		60Hz				50Hz		
		Multivolt	120, 208, 240, 277	347, 120X347	220	220	230	240
150 (55V)	HPS	H	H, M*	H	N/A	M	N/A	N/A
200	HPS	A, M	A, M	N/A	A	A	A, H, N	A
250	HPS	A, M, G	A, M, G	A	A	A	A, H, N	A
250/400	HPS	A	A	N/A	N/A	N/A	N/A	N/A
400	HPS	A, M	A, M	A	A	A, H, N	H	A, H, N
175	MH	A	A	A	N/A	N/A	N/A	N/A
250	MH	A	A	A	N/A	N/A	N/A	N/A
400	MH	A	A	A	N/A	N/A	N/A	N/A

NOTE: N/A = Not Available

NOTE: *For 150W HPS, 480V use **A** or **M** ballast only.

REFERENCES

See Page F-30 for start of Accessories.
 See Pages F-44 for Component Ordering Logic.
 See Pages F-45 for Explanation of Options and Other Terms Used.
 See Pole and Bracket Section Page P-2 for pole selection.