

CRITERION™ FLOODLIGHT

Featuring SnapDrive™

APPLICATIONS

- General purpose to façade lighting, spotlighting to parking lot lighting

SPECIFICATION FEATURES

- 1598 Listed
Suitable For Wet Locations
- UL listed and CUL listed to Canadian Standards
- Die-cast aluminum housing for strength, beauty and low maintenance
- Scaled family styling look for consistent site enhancing look
- Concealed continuous gasket seals against harmful dust, dirt, moisture and insects (IP65 rating)
- Tool-less entry for easy, economical maintenance
- Tamper-resistant option helps prevent unauthorized entry for security and safety
- Activated charcoal breathe-way for clean ventilation and long term maintained foot candle levels
- Pre-drilled integral mounting surfaces for quick installation of accessories
- Low-profile hinges & latches for a clean look
- Choice of a palette of standard colors, 188 RAL colors, or your own custom color in fade- and abrasion-resistant powder and liquid paints
- Slipfitter with integrally sealed wiring box conceals and protects wiring, saves maintenance costs and maintains a clean look optics
- Reflector section optimized for typical applications—facilitates luminaire-to-application matching
- Asymmetrical reflectors are computer optimized for MH lamps to maximize efficiency
- Rugged hydro-formed reflector for consistent performance
- ALGLAS® coating seals reflectors from contaminants for superior long term performance
- 100w to 1000w MH, PMH and HPS lamp operation (Consult ballast selection table for availability)
- Asymmetric hydroformed reflectors for vertical and horizontal surfaces
- Nema-type light distributions for general purpose flood lighting
- Designed for compact lamps minimizing EPA and pole costs
- EZAdd™ Switched quartz
- Single & dual fusing
- Optional EZAdd button PE
- Optional Bilevel switching (250/400)
- Matched cross arm mounting Structures available
- Full Line of visors and shields available
- Matched line of poles for simplified ordering
- Optional digital diagnostic tester available for long term maintenance

ORDERING NUMBER LOGIC

| PRODUCT IDENT | WATTAGE | LIGHT SOURCE | VOLTAGE | BALLAST TYPE | PE CONTROL | PHOTOMETRIC DISTRIBUTION | COLOR | MOUNTING | OPTIONS |
|--------------------------------|--|---|---|---|---|---|--|--|--|
| XXXX | XX | X | X | X | X | X | XXXX | X | X |
| CFSX = Small Flood | 10 = 100 (S) 15 = 150 (S) (55V) | S = HPS M = MH P = pulse start MH | 60Hz 0 = 120/208/240/ 277* MULTIVOLT | See Ballast Selection Table | 1 = No PE 2 = With PE Receptacle 3 = Button PE* | W = Wide Flood V = Vertical Surface Flood M = Medium Flood N = Narrow Flood 4 = Spot 3 = Narrow Spot | Standard Colors DKBZ = Dark Bronze BLCK = Black WHITE = White | K = 2.38 in. Slipfitter V = Wall Mount S = 3.00 in. Slipfitter | B = Time Delay Automatically Switched Quartz F = Fusing* XXX = Special Options |
| CFMX = Medium Flood | 17 = 175 (S) 25 = 250 (M) 32 = 320 (M) | Lamp included | 1 = 120 2 = 208 3 = 240 4 = 277 5 = 480 D = 347 P = 120X277X347** | A = Autoreg D = BiLevel III H = HPF-LAG | | | Special Colors Insert four digit color code from RAL Color Chart | | |
| CFLX = Large Flood | 40 = 400 (M) 01 = 1000 (L) | | | | | | | | |
| CFSC = Small Flood for Canada | | | | | | | | | |
| CFMC = Medium Flood for Canada | S = Small M = Medium L = Large | | | | * Not Available in Multivolt | | | | * Not Available in Multivolt |
| CFLC = Large Flood for Canada | | | | | | | | | |

PHOTOMETRIC SELECTION TABLE

| Housing Type | Wattage | Lamp* | Wide Flood 7x6* | Vertical Surface Flood 6x5* | Medium Flood 7x6 | Narrow Flood 6x5 | Spot 3x3 | Narrow Spot 3x2 |
|--------------|---------|-------|-----------------|-----------------------------|------------------|------------------|----------|-----------------|
| Small | 100 | HPS | 451792 | 451793 | 451791 | | 451790 | |
| | 150 | HPS | 451796 | 451797 | 451795 | | 451794 | |
| | 100 | PMH | 451800 | 451801 | 451799 | | 451798 | |
| | 150 | PMH | 451804 | 451805 | 451803 | | 451802 | |
| | 175 | PMH | 451808 | 451809 | 451807 | | 451806 | |
| | 175 | MH | 451812 | 451813 | 451811 | | 451810 | |
| Medium | 250 | HPS | 451816 | 451817 | 451815 | 451818 | 451814 | 451819 |
| | 400 | HPS | 451822 | 451823 | 451821 | 451824 | 451820 | 451825 |
| | 250 | PMH | 451828 | 451829 | 451827 | 451830 | 451826 | 451831 |
| | 400 | PMH | 451834 | 451835 | 451833 | 451836 | 451832 | 451837 |
| | 250 | MH | 451840 | 451841 | 451839 | 451842 | 451838 | 451843 |
| | 400 | MH | 451846 | 451847 | 451845 | 451848 | 451844 | 451849 |
| Large | 1000 | MH | 451852 | N/A | 451851 | N/A | N/A | N/A |

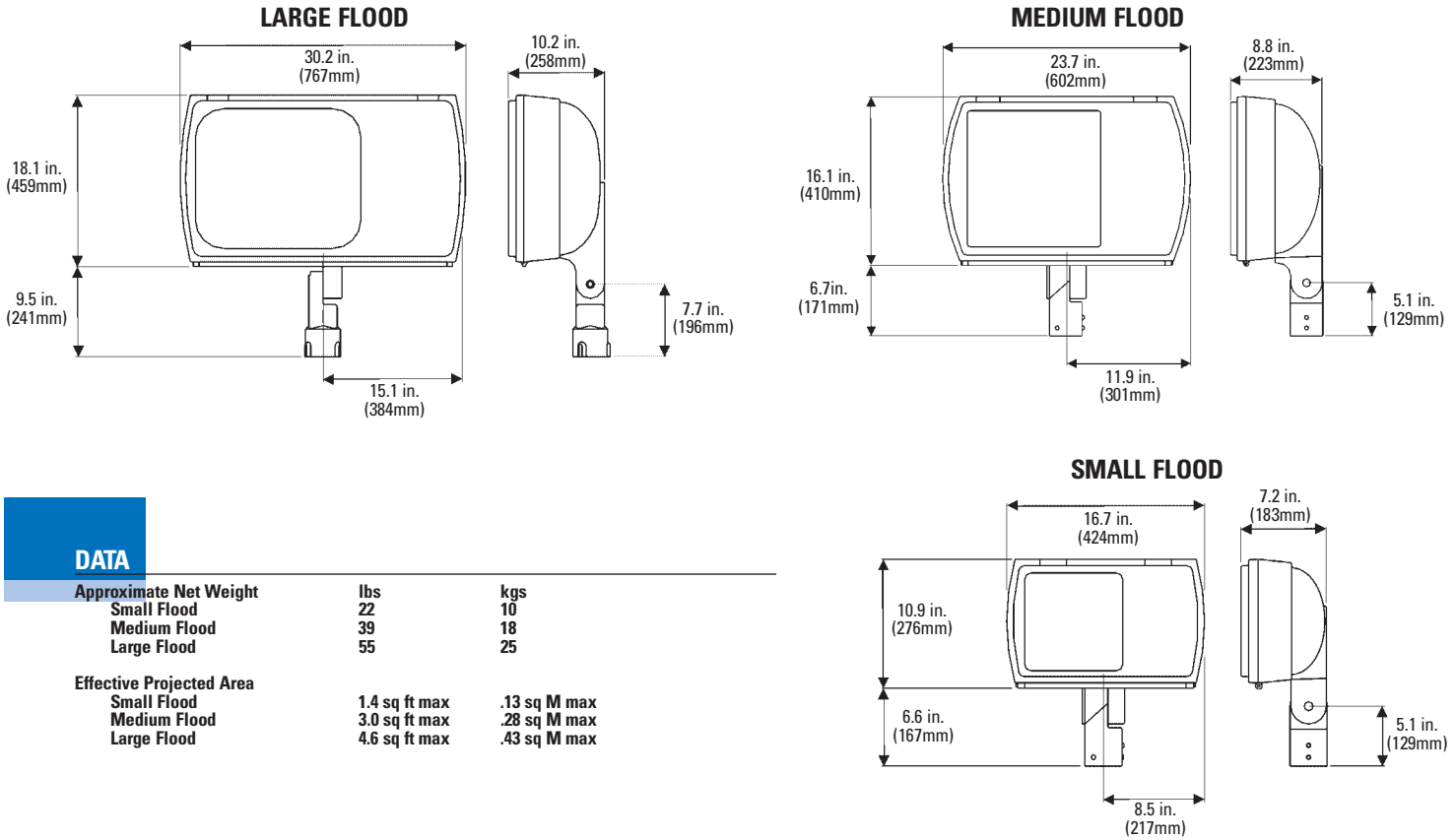
N/A = Not Available
*Distribution is non-symmetric, consult IES file.

NOTE: NEMA type listed is for highest wattage metal halide lamp.

CRITERION™ FLOODLIGHT

TRUNNION MOUNTED
(Standard)

FIXTURE DIMENSIONS



DATA

| Approximate Net Weight | lbs | kgs |
|------------------------|-----|-----|
| Small Flood | 22 | 10 |
| Medium Flood | 39 | 18 |
| Large Flood | 55 | 25 |

| Effective Projected Area | sq ft max | sq M max |
|--------------------------|---------------|--------------|
| Small Flood | 1.4 sq ft max | .13 sq M max |
| Medium Flood | 3.0 sq ft max | .28 sq M max |
| Large Flood | 4.6 sq ft max | .43 sq M max |

BALLAST SELECTION TABLE

All HID light sources are clear unless otherwise indicated.

| Housing Type | Wattage | Source | Lamp Size | Multivolt | 120 | 208 | 240 | 277 | 480 | 347 | 120 x 277 x 347 |
|--------------|----------|--------|-----------|-----------|-----|-----|-----|-----|-----|-----|-----------------|
| CFSX | 100, 150 | HPS | B17 | H | H | H | H | H | N/A | N/A | N/A |
| | 100, 150 | PMH | BD17 | H | H | H | H | H | N/A | N/A | N/A |
| | 175 | MH | BD17 | A | A | A | A | A | N/A | N/A | N/A |
| CFMX | 250, 400 | HPS | ED18 | A | A | A | A | A | N/A | N/A | N/A |
| | 250, 400 | PMH | ED28 | A | A | A | A | A | N/A | N/A | N/A |
| | 250, 400 | MH | ED28 | A | A | A | A | A | N/A | N/A | N/A |
| CFLX | 1000 | MH | BT37 | A | A | A | A | A | N/A | N/A | |
| CFSC Canada | 100, 150 | HPS | B17 | N/A | H | N/A | N/A | H | N/A | H | H |
| | 100, 150 | PMH | BD17 | N/A | H | N/A | N/A | H | N/A | H | H |
| | 175 | MH | BD17 | N/A | A | N/A | N/A | A | N/A | A | A |
| CFMC Canada | 250, 400 | HPS | ED18 | N/A | A | N/A | N/A | A | N/A | A | A |
| | 250, 400 | PMH | ED | N/A | A | N/A | N/A | A | N/A | A | A |
| | 250, 400 | MH | ED28 | N/A | A | N/A | N/A | A | N/A | A | A |
| CFLC Canada | 1000 | MH | N/A | N/A | N/A | N/A | N/A | N/A | N/A | N/A | |

NOTE: N/A = Not Available

SUGGESTED CONFIGURATION

GENERAL AREA LIGHTING

| | | | | | | | | | |
|-----------|------|----|---|---|---|---|---|------|---|
| 175 watt | CFSX | 17 | M | 0 | A | 1 | M | DKBZ | K |
| 400 watt | CFMX | 40 | M | 0 | A | 1 | M | DKBZ | K |
| 1000 watt | CFLX | 01 | M | 0 | A | 1 | M | DKBZ | K |

TALL STRUCTURES AND SIGNS

| | | | | | | | | | |
|-----------|------|----|---|---|---|---|---|------|---|
| 175 watt | CFSX | 17 | M | 0 | A | 1 | V | DKBZ | K |
| 400 watt | CFMX | 40 | M | 0 | A | 1 | V | DKBZ | K |
| 1000 watt | N/A | | | | | | | | |

PARKING LOT

| | | | | | | | | | |
|-----------|------|----|---|---|---|---|---|------|---|
| 175 watt | CFSX | 17 | M | 0 | A | 1 | W | DKBZ | K |
| 400 watt | CFMX | 40 | M | 0 | A | 1 | W | DKBZ | K |
| 1000 watt | CFLX | 01 | M | 0 | A | 1 | W | DKBZ | K |

REFERENCES

See Page F-30 for start of Accessories.

See Pages F-44 for Component Ordering Logic.

See Pages F-45 for Explanation of Options and Other Terms Used.

See Pole and Bracket Section Page P-2 for pole selection.