

GE EDISON® V LUMINAIRE

ORDERING INFORMATION FOR GE LIGHTING SYSTEMS RENEWAL PARTS

REF. NO.	DESCRIPTION	CATALOG NUMBER
1	Globes listed on back page	
2	Socket with leads Mogul	35-964640-51
2	Socket with leads Medium	35-219755R01
3	Ballast replacement kits: See the table below. . .	
4	Capacitor: Secure the old part number from the existing part or the microfarad and voltage value and use to cross reference chart in the renewal parts catalog.	
5	Ignitor	35-967410-51
6	PE Control Receptacle Kit	35-963700-02
7	Terminal Board	35-420420R01

Continued on back page

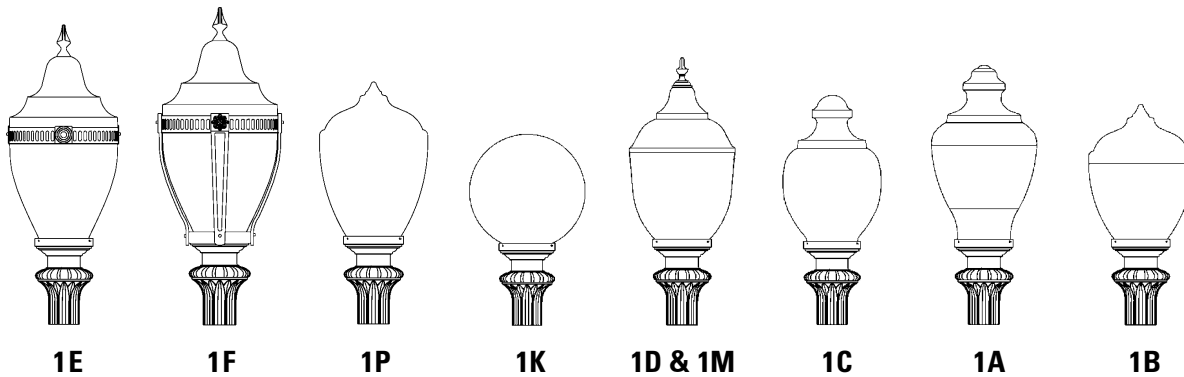
BALLAST REPLACEMENT PARTS

Includes ballast mounting plate core and coil, capacitor, igniter, when required.

WATTAGE	VOLTAGE	BALLAST TYPE	CATALOG NUMBER
HIGH PRESSURE SODIUM			
35	120	HPF-REACTOR	35-963610-10
35	120	NPF-REACTOR	35-963610-11
50	120/208/240/277	HPF-LAG	35-963610-03
70	120/208/240/277	HPF-LAG	35-963610-04
100	120/208/240/277	HPF-LAG	35-963610-05
150	120/208/240/277	HPF-LAG	35-963610-06
METAL HALIDE or MERCURY			
175	120/208/240/277	AUTO-REG	35-963610-07
METAL HALIDE			
100	120/208/240/277	HPF-LAG	35-963610-08



GE Lighting Systems, Inc.



GE EDISON® V LUMINAIRE

OPT	1A	8	S	B	S	XXX	BLCK
PRODUCT IDENT	GLOBE SHAPE (FIRST ALWAYS NUMBER SECOND ALPHA)	NECK SIZE	FINIAL READY	GLOBE MATERIAL	GLOBE TYPE	OPTIONS	COLOR
		8 = 8"	F = Finial S = Standard	A = Acrylic B = Polycarbonate C = Polycarb/Acrylic D = White Polycarb E = White Acrylic H = 2% White Acrylic	S = Symmetric A = Asymmetric		(used only on globes shipped with metal parts)
	1A = Traditional Prismatic 1B = Colonial Prismatic 1C = Traditional Standard 1D = Colony 1E = Art Deco 1F = Art Deco w/ribs 1K = Impression (18") 1M = Colony W/Crown and Ribs 1P = Revival One piece	8 8 8 8 8 8 8 8	F or S S only F or S F or S F only F only S only F or S S only	B or C B or C B B or A B B D B or A B	S or A S or A S S or A S S S S or A S		(used only on globes shipped with metal parts) ALUM = Aluminum BLCK = Black BRWN = Brown CHGR = Charcoal Gray DKBZ = Dark Bronze FGRN = Forest Green GRAY = Gray WHTE = White

8 IN. NECK	Globe Shape	Finial Ready	Material	Globe Type	Uplight Shield
OPT-1A8FBA	1A		POLYCARB	ASYM	
OPT-1A8FBS031	1A	YES	POLYCARB	SYMM	YES
OPT-1A8FCA	1A	YES	COMPOSITE	ASYM	
OPT-1A8FCS	1A	YES	COMPOSITE	SYMM	
OPT-1A8SBA	1A		POLYCARB	ASYM	
OPT-1A8SBA031	1A		POLYCARB	ASYM	YES
OPT-1A8SBS031	1A		POLYCARB	SYMM	YES
OPT-1A8SCA	1A		COMPOSITE	ASYM	
OPT-1A8SCA031	1A		COMPOSITE	ASYM	YES
OPT-1A8SCS	1A		COMPOSITE	SYMM	

8 IN. NECK	Globe Shape	Finial Ready	Material	Globe Type	Uplight Shield
OPT-1B8SCA	1B		COMPOSITE	ASYM	
OPT-1B8SCS	1B		COMPOSITE	SYMM	
OPT-1C8FBS	1C	YES	POLYCARB	SYMM	
OPT-1C8SAS	1C		ACRYLIC	SYMM	
OPT-1D8FAAXXX-BLCK	1D	YES	ACRYLIC	ASYM	
OPT-1E8FBSXXX-BLCK	1E	YES	POLYCARB	SYMM	
OPT-1F8FBSXXX-BLCK	1F	YES	POLYCARB	SYMM	
OPT-1K8SDS	1K		POLY/WHITE	SYMM	
OPT-1M8FASXXX-BLCK	1M	YES	ACRYLIC	SYMM	
OPT-1P8SBS	1P		POLYCARB	SYMM	



GE Lighting Systems, Inc.