

GE CONSTITUTION™ LUMINAIRE

ORDERING INFORMATION FOR GE LIGHTING SYSTEMS RENEWAL PARTS

| REF. NO. | DESCRIPTION | CATALOG NUMBER |
|----------|---|-------------------------|
| 1 | Globes listed on back page | |
| 2 | Socket with leads Mogul | 35-964640-51 |
| 2 | Socket with leads Medium | 35-219755R01 |
| 3 | Ballast replacement kits: See the table below. . . | |
| 4 | Capacitor: Secure the old part number from the existing part or the microfarad and voltage value and use to cross reference chart in the renewal parts catalog. | |
| 5 | Ignitor | 35-967410-51 |
| 6 | PE Control Receptacle Kit | PEK-120, or 240, or 277 |
| 7 | Terminal Board | 35-420420R01 |

Continued on back page

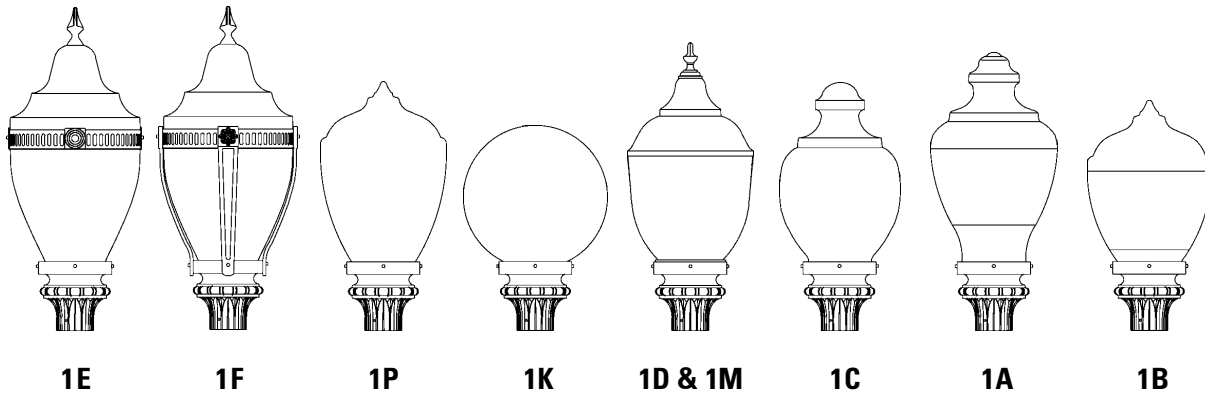
BALLAST REPLACEMENT PARTS

Includes ballast mounting plate core and coil, capacitor, igniter, when required.

| WATTAGE | VOLTAGE | BALLAST TYPE | CATALOG NUMBER |
|--------------------------------|-----------------|--------------|----------------|
| HIGH PRESSURE SODIUM | | | |
| 35 | 120 | HPF-REACTOR | 35-963610-10 |
| 35 | 120 | HPF-REACTOR | 35-963610-11 |
| 50 | 120/208/240/277 | HPF-LAG | 35-963610-03 |
| 70 | 120/208/240/277 | HPF-LAG | 35-963610-04 |
| 100 | 120/208/240/277 | HPF-LAG | 35-963610-05 |
| 150 | 120/208/240/277 | HPF-LAG | 35-963610-06 |
| METAL HALIDE or MERCURY | | | |
| 175 | 120/208/240/277 | AUTO-REG | 35-963610-07 |
| METAL HALIDE | | | |
| 100 | 120/208/240/277 | HPF-LAG | 35-963610-08 |



GE Lighting Systems, Inc.



GE CONSTITUTION™ LUMINAIRE

| OPT | 1A | 8 | S | B | S | XXX | BLCK |
|---------------|--|--------------------------------------|--|---|---|---------|---|
| PRODUCT IDENT | GLOBE SHAPE (FIRST ALWAYS NUMBER SECOND ALPHA) | NECK SIZE | FINIAL READY | GLOBE MATERIAL | GLOBE TYPE | OPTIONS | COLOR |
| | | 8 = 8" | F = Finial S = Standard | A = Acrylic B = Polycarbonate C = Polycarb/Acrylic D = White Polycarb E = White Acrylic H = 2% White Acrylic | S = Symmetric A = Asymmetric | | (used only on globes shipped with metal parts) |
| | 1A = Traditional Prismatic 1B = Colonial Standard 1C = Traditional Standard 1D = Colony 1E = Art Deco 1F = Art Deco w/ribs 1K = Impression (18") 1M = Colony W/Crown and Ribs 1P = Revival One piece | 8 8 8 8 8 8 8 8 | F or S S only F or S F or S F only F only S only F or S S only | B or C B or C B A or B B B D B or A B | S or A S or A S S or A S S S S or A S | | (used only on globes shipped with metal parts) ALUM = Aluminum BLCK = Black BRWN = Brown CHGR = Charcoal Gray DKBZ = Dark Bronze FGRN = Forest Green GRAY = Gray WHTE = White |

| 8 IN. NECK | Globe Shape | Finial Ready | Material | Globe Type | Uplight Shield |
|---------------|-------------|--------------|-----------|------------|----------------|
| OPT-1A8FBA | 1A | | POLYCARB | ASYM | |
| OPT-1A8FBS031 | 1A | YES | POLYCARB | SYMM | YES |
| OPT-1A8FCA | 1A | YES | COMPOSITE | ASYM | |
| OPT-1A8FCS | 1A | YES | COMPOSITE | SYMM | |
| OPT-1A8SBA | 1A | | POLYCARB | ASYM | |
| OPT-1A8SBA031 | 1A | | POLYCARB | ASYM | YES |
| OPT-1A8SBS031 | 1A | | POLYCARB | SYMM | YES |
| OPT-1A8SCA | 1A | | COMPOSITE | ASYM | |
| OPT-1A8SCA031 | 1A | | COMPOSITE | ASYM | YES |
| OPT-1A8SCS | 1A | | COMPOSITE | SYMM | |

| 8 IN. NECK | Globe Shape | Finial Ready | Material | Globe Type | Uplight Shield |
|--------------------|-------------|--------------|------------|------------|----------------|
| OPT-1B8SCA | 1B | | COMPOSITE | ASYM | |
| OPT-1B8SCS | 1B | | COMPOSITE | SYMM | |
| OPT-1C8FBS | 1C | YES | POLYCARB | SYMM | |
| OPT-1C8SAS | 1C | | ACRYLIC | SYMM | |
| OPT-1D8FAAXXX-BLCK | 1D | YES | ACRYLIC | ASYM | |
| OPT-1E8FBSXXX-BLCK | 1E | YES | POLYCARB | SYMM | |
| OPT-1F8FBSXXX-BLCK | 1F | YES | POLYCARB | SYMM | |
| OPT-1K8SDS | 1K | | POLY/WHITE | SYMM | |
| OPT-1M8FASXXX-BLCK | 1M | YES | ACRYLIC | SYMM | |
| OPT-1P8SBS | 1P | | POLYCARB | SYMM | |



GE Lighting Systems, Inc.