

ORDERING INFORMATION FOR GE LIGHTING SYSTEMS RENEWAL PARTS

REF. NO.	DESCRIPTION	CATALOG NUMBER
2	Socket with leads Mogul	35-964640-51
2	Socket with leads Medium	35-219755R01
3	Ballast replacement kits: See the table below.	
4	Capacitor: Secure the old part number from the existing part or the microfarad and voltage value and use to cross reference chart in the renewal parts catalog.	
5	Ignitor	35-967410-51
6	PE Control Receptacle Kit	35-963700-02
7	Terminal Board	35-420420R01
8	Internal Glass Refractor Kit Type II/III	35-963700-09
8	Internal Glass Refractor Kit Type V	35-963700-10
1	GLOBES LISTED ON BACK PAGE	

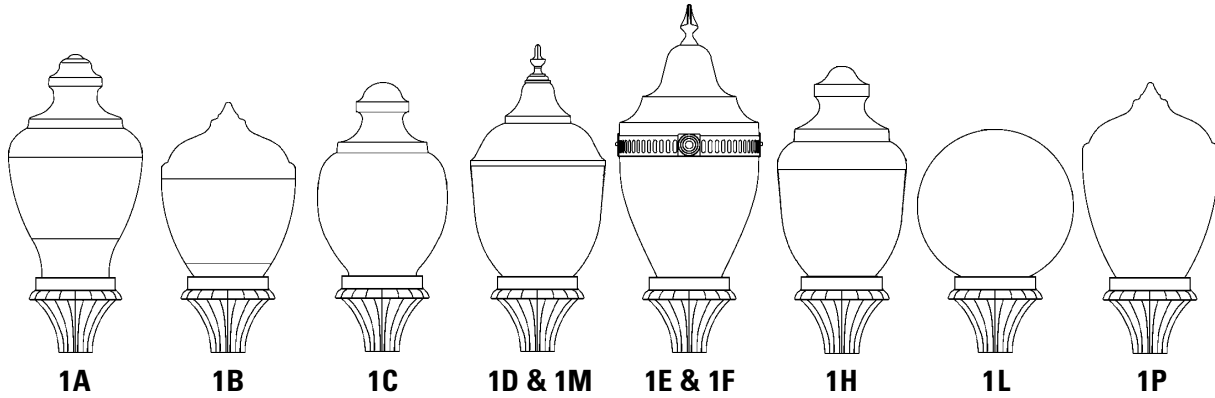
BALLAST REPLACEMENT PARTS

Includes ballast mounting plate core and coil, capacitor, igniter, when required.

WATTAGE	VOLTAGE	BALLAST TYPE	CATALOG NUMBER
HIGH PRESSURE SODIUM			
50	120/208/240/277	HPF-LAG	35-963700-11
70	120/208/240/277	HPF-LAG	35-963700-12
100	120/208/240/277	HPF-LAG	35-963700-03
150	120/208/240/277	HPF-LAG	35-963700-13
METAL HALIDE or MERCURY			
175	120/208/240/277	AUTO-REG	35-963700-14
METAL HALIDE			
50	120/208/240/277	LAG	35-963700-05
70	120/208/240/277	HPF-LAG	35-963700-06
100	120/208/240/277	HPF-LAG	35-963700-07



GE Lighting Systems, Inc.



AMERICANA™ LUMINAIRE

OPT	1A	8	S	B	S	XXX	BLCK
PRODUCT IDENT	GLOBE SHAPE (FIRST ALWAYS NUMBER SECOND ALPHA)	NECK SIZE	FINIAL READY	GLOBE MATERIAL	GLOBE TYPE	OPTIONS	COLOR
		8 = 8" 9 = 9"	F = Finial S = Standard	A = Acrylic B = Polycarbonate C = Polycarb/Acrylic D = White Polycarb E = White Acrylic H = 2% White Acrylic	S = Symmetric A = Asymmetric		(used only on globes shipped with metal parts)
	1A = Traditional Prismatic 1B = Colonial Prismatic 1C = Traditional Standard 1D = Colony 1E = Art Deco 1F = Art Deco w/ribs 1H = Classic Prismatic 1L = Impression (22") 1M = Colony W/Crown and Ribs 1N = LEXALITE 424 GLOBE (Cone Head Shape) 1P = Revival One piece	8 and 9 8 only 8 and 9 8 and 9 8 only 8 only 9 only 9 only 8 and 9 8 and 9 8 only	F or S S only F or S F or S F only F only F and S S only F or S F or S S only	B or C B or C B B or A B B A D B or A A B	S or A S or A S S or A S S S or A S S or A S or A		(used only on globes shipped with metal parts) ALUM = Aluminum BLCK = Black BRWN = Brown CHGR = Charcoal Gray DKBZ = Dark Bronze FGRN = Forest Green GRAY = Gray WHTE = White

8 IN. NECK	Globe Shape	Finial Ready	Material	Globe Type	Uplight Shield
OPT-1A8FBA	1A		POLYCARB	ASYM	
OPT-1A8FBS031	1A	YES	POLYCARB	SYMM	YES
OPT-1A8FCA	1A	YES	COMPOSITE	ASYM	
OPT-1A8FCS	1A	YES	COMPOSITE	SYMM	
OPT-1A8SBA	1A		POLYCARB	ASYM	
OPT-1A8SBA031	1A		POLYCARB	ASYM	YES
OPT-1A8SBS031	1A		POLYCARB	SYMM	YES
OPT-1A8SCA	1A		COMPOSITE	ASYM	
OPT-1A8SCA031	1A		COMPOSITE	ASYM	YES
OPT-1A8SCS	1A		COMPOSITE	SYMM	
OPT-1B8SCA	1B		COMPOSITE	ASYM	
OPT-1B8SCS	1B		COMPOSITE	SYMM	
OPT-1C8FBS	1C	YES	POLYCARB	SYMM	
OPT-1C8SAS	1C		ACRYLIC	SYMM	
OPT-1D8FAA-XXX-BLCK	1D	YES	ACRYLIC	ASYM	
OPT-1E8FBS-XXX-BLCK	1E	YES	POLYCARB	SYMM	
OPT-1M8FAS-XXX-BLCK	1M	YES	ACRYLIC	SYMM	
OPT-1P8SBS	1P		POLYCARB	SYMM	

9 IN. NECK	Globe Shape	Finial Ready	Material	Globe Type	Uplight Shield
OPT-1A9FBA	1A	YES	POLYCARB	ASYM	
OPT-1A9FCA	1A	YES	COMPOSITE	ASYM	
OPT-1A9FCS	1A	YES	COMPOSITE	SYMM	
OPT-1A9SBA	1A		POLYCARB	ASYM	
OPT-1A9SCA	1A		COMPOSITE	ASYM	
OPT-1A9SCS	1A		COMPOSITE	SYMM	
OPT-1C9FBS	1C	YES	POLYCARB	SYMM	
OPT-1C9SBS	1C		POLYCARB	SYMM	
OPT-1C9SDS	1C		POLY/WHITE	SYMM	
OPT-1D9SAS	1D		ACRYLIC	SYMM	
OPT-1H9FAA	1H	YES	ACRYLIC	ASYM	
OPT-1H9FAS	1H	YES	ACRYLIC	SYMM	
OPT-1H9SAS	1H		ACRYLIC	SYMM	
OPT-1L9SDS	1L		POLY/WHITE	SYMM	
OPT-1M9FAS-XXX-BLCK	1M	YES	ACRYLIC	SYMM	
OPT-1M9SAS-XXX-BLCK	1M		ACRYLIC	SYMM	
OPT-1N9FAA	1N	YES	ACRYLIC	ASYM	



GE Lighting Systems, Inc.