

## LAMPS



Use only lamps specified on nameplate. Observe lamp manufacturer's recommendations and restrictions on lamp operation, particularly ballast type, burning position, etc.

**LAMP TIGHTNESS:** The lamp should be securely inserted to NEMA-EEI specified torque of 35 inch-pounds, which is best achieved by very firmly tightening to insure application of sufficient torque. Tightening must be sufficient to fully depress and load center contact of socket.

## GLOBE INSTALLATION

First, tighten set screws. The optimum torque is 25 inch-pounds, however, finger tight plus 1/4 turn is acceptable for most applications. Over-torquing will break the globe! Then tighten jam nuts snugly against casting to keep set screws from backing out.

## MAINTENANCE

Clean globe by washing with mild non-abrasive detergent solution. Rinse with clean water.

GE Lighting Systems, Inc.  
3010 Spartanburg Highway  
Hendersonville, NC 28793  
(828) 693-2000

35-201578-X8 (GELS 1/01)



GE Lighting Systems, Inc.

Hendersonville, NC 28793-4506

GEH-5771E

## INSTRUCTIONS GE Torch Luminaire

### READ THOROUGHLY BEFORE INSTALLING

#### WARNING

- Risk of electric shock
- Turn power off before servicing  
– see instructions

#### GENERAL

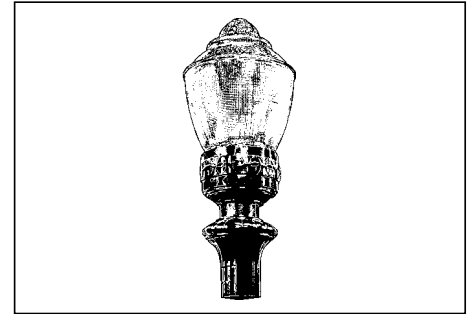
This luminaire is designed for use in outdoor applications and must adhere to 25°C Max ambient temperature limitation. Install and maintain it according to the following recommendations.

Make all electrical connections in accordance with the National Electrical Code and any applicable local code requirements.

Verify that supply voltage is correct by comparing it to nameplate.

#### CAUTION

- Unit will fall if not installed properly
- Follow installation instructions



#### IF SINGLE VOLTAGE:

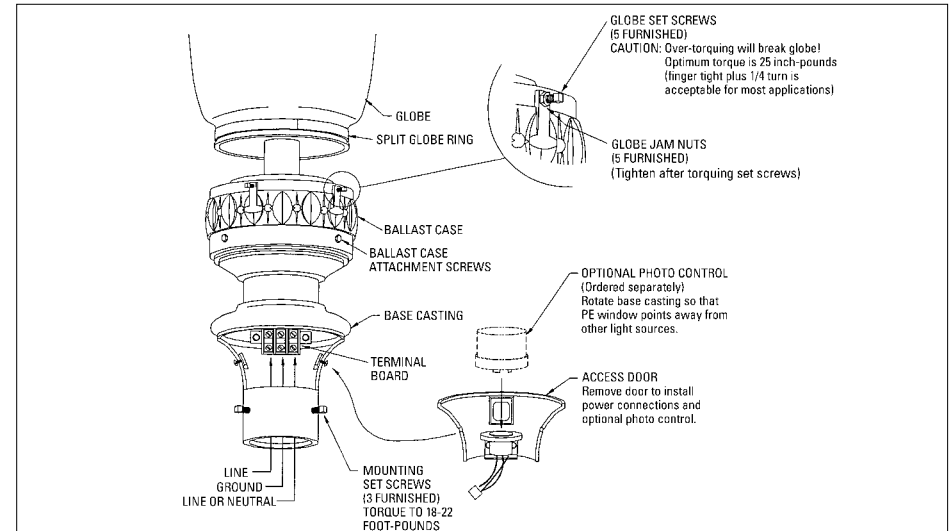
All single voltage ballasts are pre-wired such that user need only connect the supply conductors.

#### IF MULTIVOLT: (120/208/240/277 volts)

Connect the ballast lead with the insulated terminal to the desired voltage terminal as indicated on the ballast terminal nameplate.

#### IF MULTIWATT:

Multiwatt ballasts are available in various combinations of wattage. See wiring instructions on wiring tag inside the luminaire.



*These instructions do not purport to cover all details or variations in equipment nor to provide for every possible contingency to be met in connection with installation, operation or maintenance. Should further information be desired or should particular problems arise which are not covered sufficiently for the purchaser's purposes, the matter should be referred to General Electric Company.*