



INSTRUCTIONS

Town and Country, Salem™ Luminaires

GE Lighting Systems, Inc.

Hendersonville, NC 28793-4506

READ THOROUGHLY BEFORE INSTALLING

! WARNING

Risk of electric shock

- Turn power off before servicing
- see instructions

GENERAL

This luminaire is designed for outdoor lighting service, and should not be used in areas of limited ventilation, or in high ambient temperature enclosures. Best results will be obtained if installed and maintained according to the following recommendations.

UNPACKING

This luminaire has been properly packed so that no parts should have been damaged during transit. Inspect to confirm.

MOUNTING

! CAUTION

Unit will fall if not installed properly

- Follow installation instructions

This luminaire is provided with means for mounting on 3.000" max. outside diameter pole tops.

Feed the power supply leads through the slipfitter wire access hole as the fixture is installed on the pole.

Orient canopy screw or latch toward street and level by adjusting the three screws, and tighten.

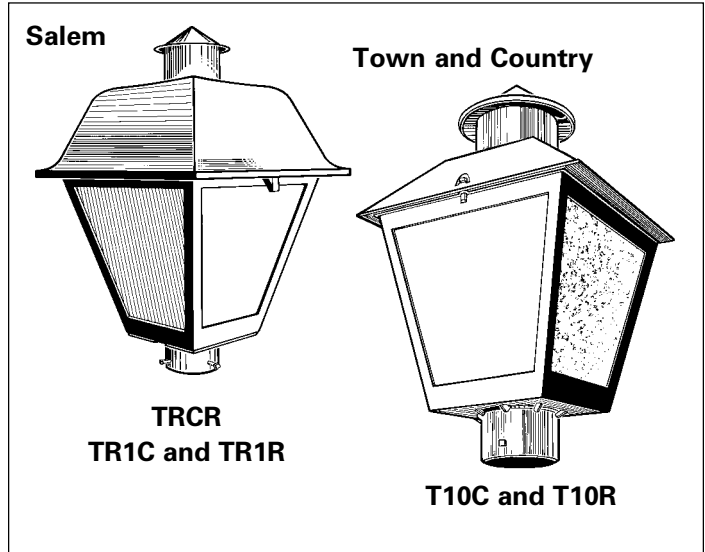
(CAUTION: Tighten screws to 15 - 20 foot pounds torque.)

WIRING

NOTE: Make all electrical connections in accordance with the National Electrical Code and any applicable local code requirements.

NOTE: Verify that supply voltage is correct by comparing it to nameplate.

120/240 VOLT field RECONNECTABLE ballasts are factory connected for 120 volt supply. For 240 volt operation, rewire per attached wiring tag.



Loosen the captive screw or release the latch which holds down the canopy, tilt canopy back toward the house side. Connect power supply leads to the luminaire leads provided or to the optional terminal board.

NOTE: Connect ground lead to the green ground screw on the housing or terminal block.

LAMP INSTALLATION – HID

! CAUTION

Risk of burn

- Allow lamp/fixture to cool before handling

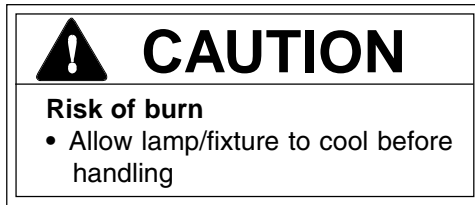
NOTE: Use only lamps specified on nameplate. Observe lamp manufacturer's recommendations and restrictions on lamp operation, particularly ballast type, burning position, etc.

Damage may occur to the fixture if the lamp is inserted while the power is on, or if the lamp is not tight in the socket when the power is applied.

Lamp Tightness Mogul Base Lamp: The lamp should be securely inserted to the NEMA-EEI specified torque of 35 inch-pounds, which is best achieved by very firmly tightening to insure application of sufficient torque. Tightening must be sufficient to fully depress and load the center contact of the socket.

These instructions do not purport to cover all details or variations in equipment nor to provide for every possible contingency to be met in connection with installation, operation or maintenance. Should further information be desired or should particular problems arise which are not covered sufficiently for the purchaser's purposes, the matter should be referred to General Electric Company.

LAMP INSTALLATION – INDUCTIVE TECHNOLOGY LAMP



NOTE: Use only lamps specified on nameplate. Observe lamp manufacturer's recommendations and restrictions on lamp operation, particularly ballast type, burning position, etc.

Damage may occur to the fixture if the lamp is inserted while the power is on.

The inductively coupled electrodeless lamps are factory supplied with the lamp installed. To replace the lamp, remove the four screws holding the mounting brackets to the reflector (Figure 1). Disconnect the lamp wiring harness and attach the new lamp. Secure the new lamp with the four screws through the mounting bracket and close the fixture. Use one of the following lamps: OSI 26100 or OSI 26101.

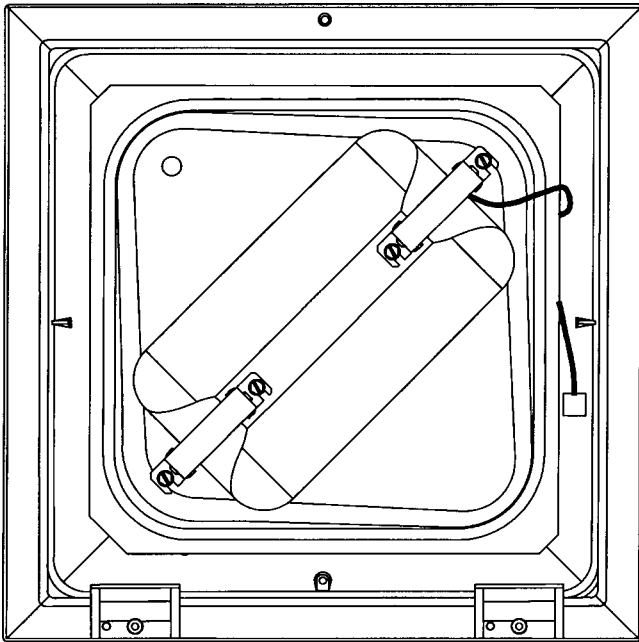


Figure 1

PHOTOELECTRIC CONTROL

When a photoelectric control is used, the photoelectric receptacle should be oriented so that the word "North" is directed toward the true north direction. This can be easily done by seating a photoelectric control into the receptacle, lifting upward on the photoelectric control (which will lift the photoelectric receptacle also), and rotating them clockwise until the word "North" is directed toward the true north direction. Lower the photoelectric control and receptacle to firmly seat them into position. No tools are required to make this orienting adjustment.

Alternatively, the photoelectric receptacle can be oriented before the photoelectric control is installed. This is done by lifting up on the rim of the photoelectric receptacle and rotating it until the word "North" is directed toward the true north direction. Lower the photoelectric receptacle to firmly seat it in this position. Install the photoelectric control.

Because of the shielding of the cupola window by the cupola top it may be necessary to adjust for an earlier turn-on time of the photoelectric control.

ONE PIECE REFRACTOR REPLACEMENT

To remove a textured refractor on this luminaire, loosen the canopy captive screw or latch and tilt back the canopy. Remove the refractor assembly unit. To replace refractor reverse this procedure.

FOUR PIECE REFRACTOR REPLACEMENT

To replace a prismatic refractor on this luminaire, loosen the canopy captive screw or latch and tilt back the canopy. Disconnect the photoelectric receptacle plug and unclip the leads from the house side panel. Remove the refractor panels as a unit. Release the defective panel from the tongue and groove. To replace the assembly reverse this procedure.

MAINTENANCE AND CLEANING

WARNING: MAKE CERTAIN POWER IS OFF BEFORE ATTEMPTING ANY MAINTENANCE.

It will occasionally be necessary to clean the optical parts in order to maintain the light level. Frequency of cleaning will depend on the dirt level in the area and the minimum light level which is acceptable. Wash with non-abrasive soap, cleaner or detergent solutions and rinse with cool water.