

Verify that supply voltage is correct by comparing it to nameplate.

If unit is designated as multivolt or multiwatt, follow specific instruction.

Do not remove insulated connectors from wires not needed for required voltage connection.

**IF SINGLE VOLTAGE:**

All single voltage ballasts are pre-wired such that user need only connect the supply conductors.

**IF MULTIVOLT: (120/208/240/277 volts)**

Connect the ballast lead with the insulated terminal to the desired voltage terminal as indicated on the ballast terminal nameplate.

**IF MULTIWATT:**

Multiwatt ballasts are available in various combinations of wattage. See wiring instructions on wiring tag inside the luminaire.

**FINAL ASSEMBLY**

To assemble luminaire, follow the steps below:

1. Engage the quick-disconnect plug.
2. Install reflector.
3. Install lamp.
4. Align door with hinges and pull or bump to snap spring over the pin. Tighten the three captive screws.

**LAMP INSTALLATION**

Use only lamps specified on nameplate. Observe lamp manufacturer's recommendations and restrictions on lamp operation, particularly ballast type, burning position, etc.

**Lamp Tightness - Mogul Base Lamp:** The lamp should be securely inserted to the NEMA-EEI specified torque of

35-inch pounds, which is best achieved by very firm tightening sufficient to fully depress and load the center contact of the socket.

**Lamp Tightness-Medium Base Lamp:** The lamp should be tightened to a light firmness sufficient to depress the center contact.

**MAINTENANCE**

**CAUTION**

**Risk of burn**

- Allow lamp/fixture to cool before handling

**WARNING**

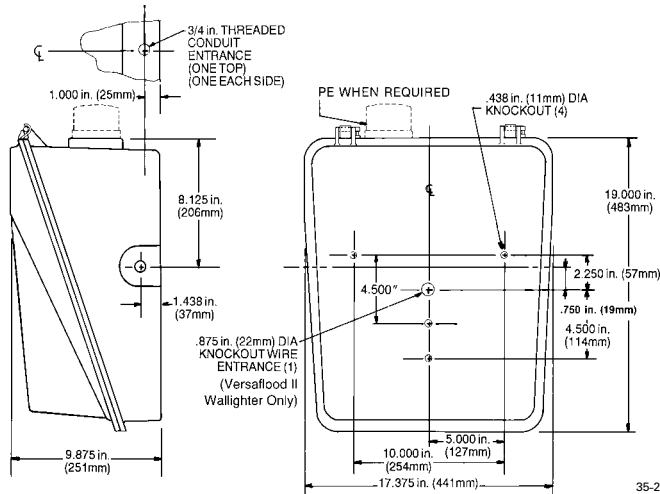
**Risk of burn**

- Do not touch operating luminaire

For cleaning the reflector and door glass use a soap, cleaner, detergent or a solution of the same (6-10 ounces per gallon of water or the manufacturers recommendations), which is essentially neutral (pH approximately 6 to 8), nonabrasive, and which contains no chlorinated or aromatic hydrocarbons. Wash thoroughly in this solution, using a soft cloth, or brush if necessary. Rinse in clean, cold water, drain and wipe dry.

When servicing luminaire, always be sure to mate polarized disconnect plugs only with each other.

Do not use oversize test prods in female portion of disconnect plug as sleeves will be deformed resulting in loose connections and intermittent operation.



35-201578-C7 (11/99) GELS



**GE Lighting Systems, Inc.**

Hendersonville, NC 28793-4506

**READ THOROUGHLY BEFORE INSTALLING**

**WARNING**

**Risk of electric shock**

- Turn power off before servicing – see instructions

**WARNING**

**Risk of fire**

- Use supply wire specified on nameplate

**GENERAL**

**Versaflood II Wallighter**

This luminaire is designed for outdoor lighting service, and should not be used in areas of limited ventilation, or in high ambient temperature enclosures. Best results will be obtained if installed and maintained according to the following recommendations.

**Versaflood II Industrial Wallighter**

This luminaire is designed for elevated ambient outdoor or indoor lighting service. See nameplate for ambient ratings versus wattage. Best results will be obtained if installed and maintained according to the following recommendations.

**UNPACKING**

This luminaire has been properly packed so that no parts should have been damaged during transit. Inspect to confirm.

**INSTALLATION**

**CAUTION**

**Unit will fall if not installed properly**

- Follow installation instructions

1. Remove door by loosening the door and hinge screws and opening at least 30° and pushing or bumping the door toward the hinge so that the hinge springs slide over the hinge pin.
2. Remove the reflector by removing the center screw, loosening the two flange screws and disconnecting the socket connector.

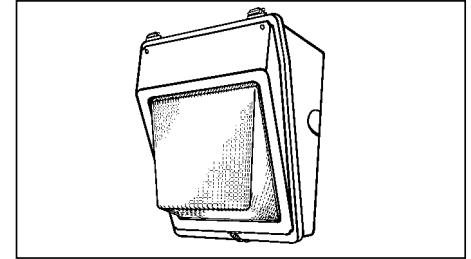
® Registered Trademark of General Electric Company

*These instructions do not purport to cover all details or variations in equipment nor to provide for every possible contingency to be met in connection with installation, operation or maintenance. Should further information be desired or should particular problems arise which are not covered sufficiently for the purchaser's purposes, the matter should be referred to General Electric Company.*

GEH-3897D

**INSTRUCTIONS**

**Versaflood® II Wallighter**



3. Remove the protective insulation shield.
4. **Versaflood II Wallighter**  
For surface mounting there are four 0.438-in. (11mm) diameter knockouts provided and a 0.875 (22mm) diameter knockout for the back wiring entrance. This unit is also provided with three-inch diameter threaded conduit entrances, one at the top and one on each side.  
**Versaflood II Industrial Wallighter**  
For surface mounting there are four 0.438 in. (11mm) diameter knockouts provided. Back wiring entrance is not permitted. This unit is also provided with three 0.75-in. (19mm) diameter threaded conduit entrances, one at the top and one on each side.

NOTE: Do not use the rear outlet box wiring entrance with series V2IW fixtures.

**PHOTOELECTRIC CONTROLS**

**(Versaflood II Wallighter Only)**

Photoelectric control receptacle (if present) should be oriented before control is installed. Loosen the two holding screws and rotate receptacle until "NORTH" is directed as near as possible to true North. Tighten holding screws and install control.

**WIRING**

To assure against heat damage to leads, position all leads to prevent contact with reflector.

Make all electrical connections in accordance with the National Electrical Code and any applicable local code requirements.

**CONNECTIONS FOR SINGLE AND DUAL-RATED UNITS**

Terminals are readily accessible on the terminal board and will accept No. 14 through No. 6 wire. Attach the service leads to the terminal board as shown on the luminaire nameplate.