

INSTRUCTIONS
Patriarch™ Luminaire



GE Lighting Systems, Inc.

Hendersonville, NC 28793-4506

B. WIRING

Make all electrical connections in accordance with the National Electrical Code and any applicable local code requirements.

Verify that supply voltage is correct by comparing it to nameplate.

IF SINGLE VOLTAGE:

All single voltage ballasts are pre-wired such that user need only connect the supply conductors.

IF MULTIVOLT: (120/208/240/277 volts)

Connect the ballast lead with the insulated terminal to the desired voltage terminal as indicated on the ballast terminal nameplate.

IF MULTIWATT:

Multiwatt ballasts are available in various combinations of wattage. See wiring instructions on wiring tag inside the luminaire.

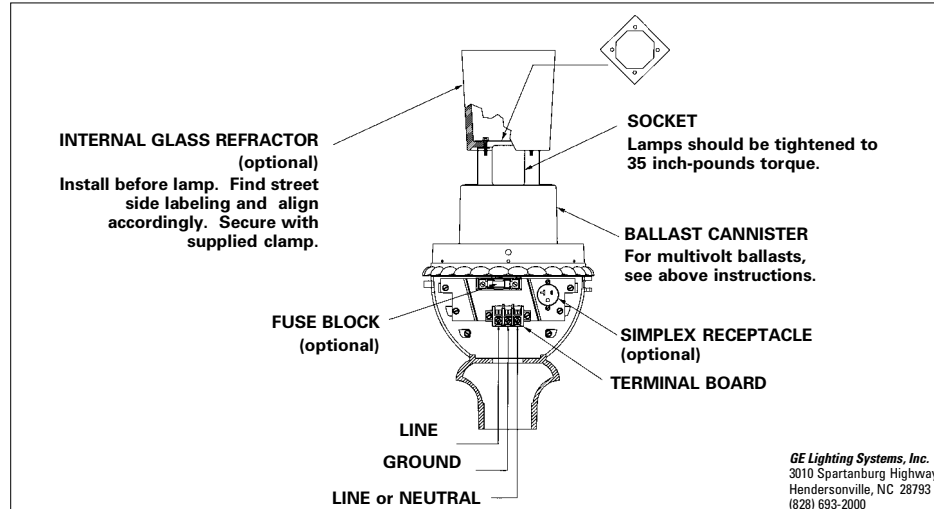
- Optional Features such as fusing and photocontrols are voltage specific.
- Replace power fuses only with fuses of the same type and rating.
- When changing voltage on reconnectable units, move only the lead with the insulated connector.

C. LAMPS

CAUTION

Risk of burn

- Allow lamp/fixture to cool before handling



Use only lamps specified on nameplate. Observe lamp manufacturer's recommendations and restrictions on lamp operation, particularly ballast type, burning position, etc.

LAMP TIGHTNESS: The lamp should be securely inserted to NEMA-EEI specified torque of 35 inch-pounds, which is best achieved by very firmly tightening to insure application of sufficient torque. Tightening must be sufficient to fully depress and load center contact of socket.

NOTE: Use of lubricants on lamp base or sockets can cause rapid lamp failure and voids fixture warranty.

D. MAINTENANCE AND CLEANING

It will occasionally be necessary to clean the refractor to maintain light levels. Frequency of cleaning will depend on ambient dirt level and minimum light level which is acceptable to the user. The refractor should be washed in a solution of warm water and mild, nonabrasive household detergent, rinsed with clean water and wiped dry.

The light output of a luminaire is dependent on the age of the lamp. In applications where the light level is critical, it may be desirable to replace lamps before they burn out. The lamp manufacturer can provide data showing how the lamp light output decreases with use.

READ THOROUGHLY BEFORE INSTALLING

WARNING

Risk of electric shock

- Turn power off before servicing
- see instructions

GENERAL

This luminaire is designed for use in outdoor applications and must adhere to 25°C Max ambient temperature limitation. Install and maintain it according to the following recommendations.

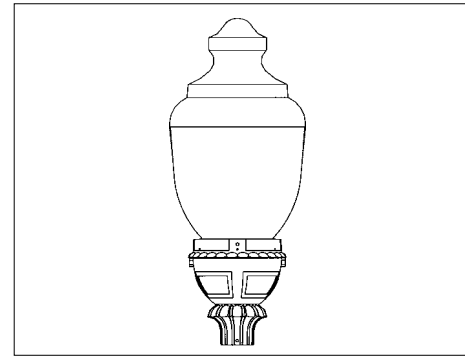
A. MOUNTING

CAUTION

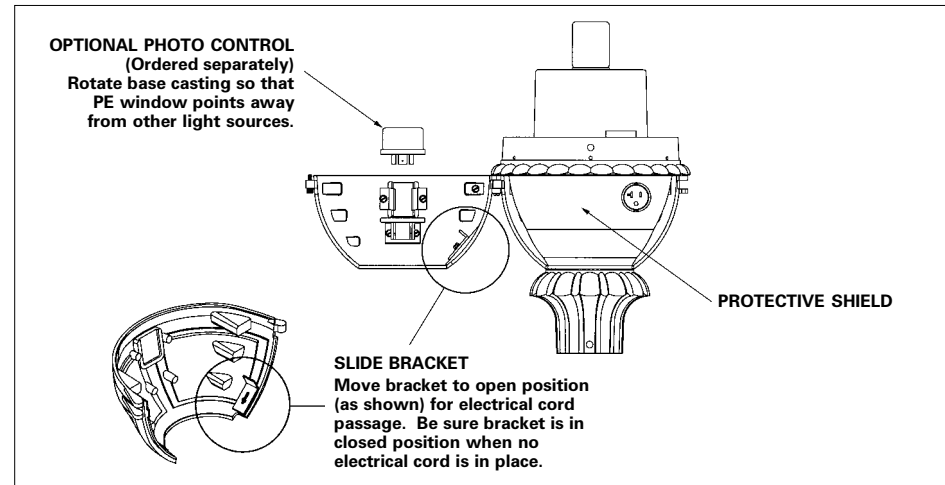
Unit will fall if not installed properly

- Follow installation instructions

1. Place fixture on appropriately sized tenon.
2. Tighten fixture set screws to 18 to 22 ft-lbs. of torque.
3. Install Lamp (see section C of instruction sheet for lamp instructions)



4. Install refractor making sure that asymmetric refractors are properly oriented with respect to their "house side" or "street side" labeling.
5. Tighten globe set screws to lightly contact globe.
6. Wire unit (see section B of instruction sheet for wiring instructions)
7. Move slide bracket to closed position if it is in open position and if no cord is present. (See illustration)
8. Close door securely.



™ Trademark of General Electric Company

These instructions do not purport to cover all details or variations in equipment nor to provide for every possible contingency to be met in connection with installation, operation or maintenance. Should further information be desired or should particular problems arise which are not covered sufficiently for the purchaser's purposes, the matter should be referred to General Electric Company.