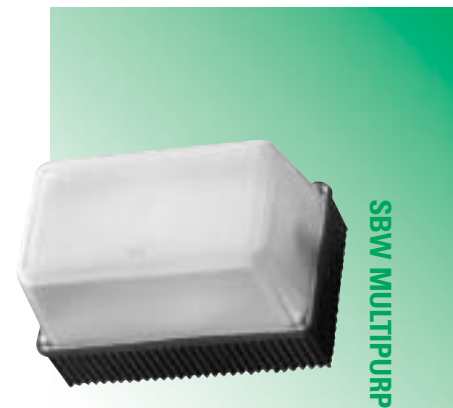


SBW[®] MULTIPURPOSE LUMINAIRE



SBW MULTIPURPOSE AREA LIGHTING

APPLICATIONS

- For many wall and ceiling mounted lighting applications in commercial, institutional and light industrial locations where the energy saving potential of high pressure sodium (HPS) lamps is desired.

SPECIFICATION FEATURES

- 1598 Listed
- **Suitable For Wet Locations**
- Standard construction is IP55
- Energy efficient medium base coated lamp included – E26 standard
- Die-cast aluminum housing with electrocoat dark bronze paint finish
- Vandal-resistant polycarbonate refractor
- Tamper-resistant hardware included
- Ceiling or wall mounting
- Mounts directly to outlet box
- Five-year fixture failure warranty
- HPF ballast available
- Photoelectric control available (field installed)

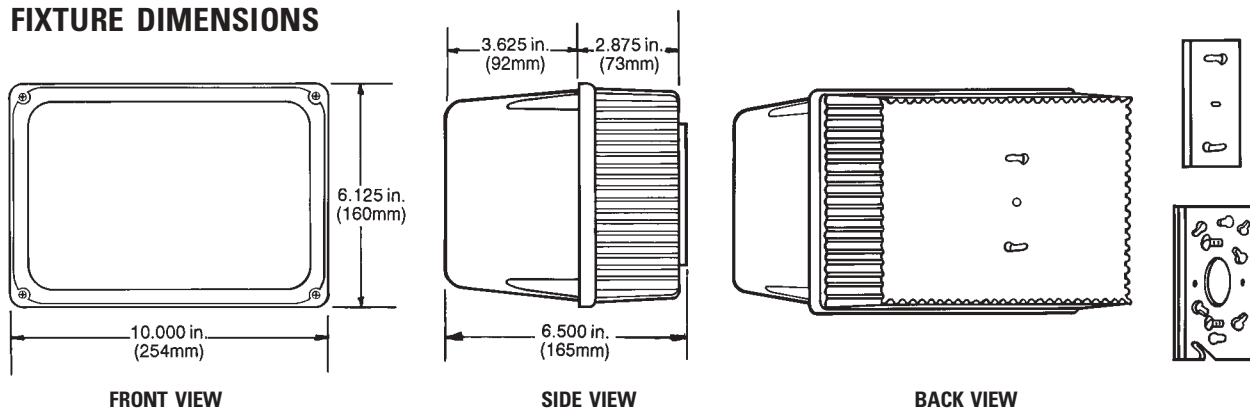
ORDERING NUMBER LOGIC

| PRODUCT IDENT | WATTAGE | LIGHT SOURCE | VOLTAGE | BALLAST TYPE | PE CONTROL |
|---------------------|--|------------------------------------|---------|------------------------------------|------------------|
| XXX | XX | X | X | X | XXX |
| SBW = SBW Luminaire | 03 = 35 05 = 50 07 = 70 (Wall-mounted horizontal only) | S = HPS Standard: Lamp included | 1 = 120 | H = HPF Reactor N = NPF Reactor | 006 = PE control |

DATA

Approximate Net Weight 5 lbs 2.2 kgs

FIXTURE DIMENSIONS



BALLAST, MOUNTING AND PHOTOMETRIC SELECTION TABLE

| Wattage | Light Source | Mounting | Ballast Type 120 Volt | Photometric Curve Number 35-17 - - - - |
|---------|--------------|--|-----------------------|--|
| 35, 50 | HPS | Ceiling or wall (Horizontal or Vertical) | H, N | 7239 |
| 70 | HPS | Wall only (Horizontal only) | H, N | 7240 |

REFERENCES

See Page A-79 for start of Accessories.
See Page A-83 for Explanation of Options and Other Terms Used.