



GE LEGACY™ LUMINAIRE

APPLICATIONS

- Residential roadways, walkways, shopping centers, malls and plazas
- Historic restorations and downtown business districts

SPECIFICATION FEATURES

Suitable For Wet Locations

- Low Profile unit to enhance aesthetics of decorative concrete poles
- Base designed to fit 7" tenon (typical offering with concrete poles)
- Button type photoelectric control available
- GE designed and built ballast with proven long life and reliability
- Powder coat paint available in 188 RAL colors
- Crowns, ribs and finials available — see decorative post top accessories page A-45
- Ornamental heavy gage cast aluminum base
- E39 Mogul base socket standard where lamp is available in mogul base (E26 Medium base socket otherwise)
- Luminaire shipped as components: Base, Optical
- Standard construction is IP54
- Removable aluminum ballast canister with key slots and electrical disconnect which provides easy access to the ballast, capacitor and plug-in ignitor
- Excludes 9" globes

ORDERING NUMBER LOGIC

PRODUCT IDENT	WATTAGE	LIGHT SOURCE	VOLTAGE	BALLAST TYPE**	PE FUNCTION	GLOBE TYPE**	IES DISTRIBUTION TYPE**	COLOR	OPTIONS
XXX	XX	X	X	X	X	XX	X	XXXX	XXX
LGCX= Legacy Luminaire	05 = 50 07 = 70	S = HPS M = MH Standard: Lamp not included.	60Hz 0 = 120/208/ 240/277 Multivolt	See Ballast and Photometric Selection Tables**	1 = None 3 = Internal PE Button	1AC = Traditional Prismatic (Polycarbonate/Acrylic) 1CB = Traditional Standard (Polycarbonate) 1DA = Colony (Acrylic with spun top aluminum) 1HA = Classic (Acrylic) 1LD = 22" Impression (White polycarbonate) 1MA = Colony with crown and ribs installed (Acrylic with spun aluminum top)	See Ballast and Photometric Selection Tables**	ALUM = Aluminum BLCK = Black BRWN = Brown CHGR = Charcoal Gray DKBZ = Dark Bronze FGRN = Forest Green GRAY = Gray WHTE = White	
LGCF = Legacy Luminaire Finial Ready*	10 = 100 15 = 150 (55V) 17 = 175		1 = 120 5 = 480 D = 347 F = 120X347	A = Autoreg H = HPF Reactor or Lag N = NPF Reactor or Lag	NOTE: Receptacle connected same voltage as unit. Order PE Control separately.		A = Asymmetric S = Symmetric		

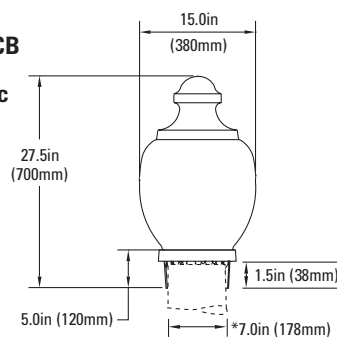
**See Photometric Selection Tables starting on Page A-47.

GE LEGACY™ LUMINAIRE

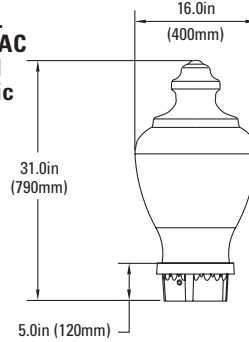
GE LEGACY AREA LIGHTING

FIXTURE DIMENSIONS

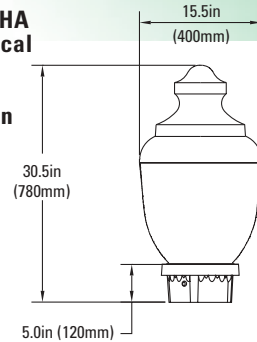
TRADITIONAL STANDARD 1CB
Asymmetrical and Symmetric Distribution available



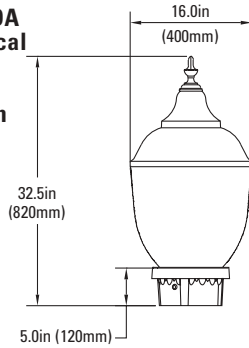
TRADITIONAL PRISMATIC 1AC
Asymmetrical and Symmetric Distribution available



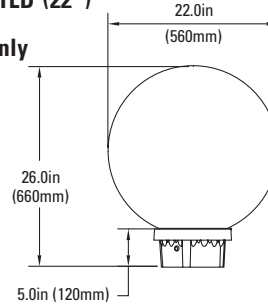
CLASSIC 1HA
Asymmetrical and Symmetric Distribution available



COLONY 1DA
Asymmetrical and Symmetric Distribution available



IMPRESSION 1LD (22")
Symmetric Distribution only



DATA

Approximate Net Weight	21-25 lbs	10-11 kgs
Suggested Mounting Height	10-16 ft.	2-5 M
Effective Projected Area:	1.6 sq ft max	0.15 sq M max

BALLAST SELECTION TABLE

All light sources are clear unless otherwise indicated.

Wattage	Light Source	Ballast Type/Voltage			
		60Hz			
		120	347 120x347	Multivolt	480
50	HPS	H, N	H, N	H, N	N/A
70	HPS	A, H, N	H, N	H, N	H, N
100	HPS	A, H, N	H, N	H, N	H, N
150(55V)	HPS	A, H, N	H, N	H, N	H, N
70	MH	H, N	H, N	H, N	H, N
100	MH	H, N	H, N	N	H, N
175	MH	A	A	A	A

NOTE: N/A = Not Available

REFERENCES

See Page A-42 for start of Accessories.
See Page A-46 for Explanation of Options and Other Terms Used.
See Pole and Bracket Section Page P-2 for pole selection.