



## DIMENSION™ 1000 LUMINAIRE

### APPLICATIONS

- High wattage site lighting including parking areas, malls and shopping centers
- Commercial and industrial complexes, and automobile lots

### SPECIFICATION FEATURES

- 1598 Listed
- **Suitable For Wet Locations**
- Standard construction is IP55
- Precision engineered aluminum housing featuring die-cast ends and die-cast door
- Polyester powder paint finish standard in dark bronze, black, white, charcoal gray and aluminum
- No-tool access stainless steel latch design
- SAG glass lens for a variety of distributions and appearances
- Vertical lamp distributions
- All reflectors are designed for vertical base-up optics, and are field rotatable/interchangeable
- Enclosed and gasketed housing with activated charcoal filtered optical system
- Choice of mountings including Decorative Mounting Arm (4 in. [103mm], 8 in. [206mm] or 12 in. [305mm]) (Drilling templates are the same for the Decashield® 400 and Decashield® 1000 luminaires.)
- Removable ballast tray (standard)
- Mogul base socket – E39 standard

### ORDERING NUMBER LOGIC

PRODUCT IDENT	WATTAGE	LIGHT SOURCE	VOLTAGE	BALLAST TYPE	PE FUNCTION	LENS TYPE	DISTRIBUTION TYPE	COLOR	MOUNTING ARM LENGTH	OPTIONS
XXX	XX	X	X	X	X	X	X	XX	X	XXX
DKA = Dimension 1000 Luminaire with Arm Mounting	25 = 250 40 = 400 75 = 750 01 = 1000	S = HPS M = MH P = Pulse Start MH  Standard: Mogul base lamp not included.	60Hz 0 = 120/208/ 240/277 Multivolt  1 = 120 2 = 208 3 = 240 4 = 277 5 = 480 D = 347 F = 120X347 T = 220  50Hz 6 = 220 R = 230 Y = 240  NOTE: 120X347 connected for 120V	See Ballast Selection Table A = Autoreg  D = Bi-Level (See Technical Section)  G = Mag-Reg with Grounded Socket Shell  H = HPF Reactor or Lag  M = Mag-Reg  P = CWI with Grounded Socket Shell	1 = None 2 = PE Receptacle 4 = PE Receptacle and Shorting Cap  NOTE: Receptacle connected same voltage as unit.	See Photometric Selection Table  S = SAG Glass	See Photometric Selection Table  A = Asymmetric  F = FWT  L = Long and narrow asymmetric roadway distribution  S = Square narrow (cutoff) parking distribution  Q = Square wide	AL = Aluminum BL = Black DB = Dark Bronze (Standard) CG = Charcoal Gray WH = White  NOTE: Contact Factory for RAL colors.	1 = 4 in. (102mm) for Singles Two at 180° 2 = 12 in. (305mm) for Two at 90° Tri-Fixture Poles Quad-Fixture Poles 3 = 8 in. (203mm) for Singles Two at 180° 4 = 4 in. (102mm) for Round Pole 5 = 12 in. (305mm) for Round Pole 6 = 8 in. (203mm) for round Pole R = No arm. Housing drilled with diagonal hole pattern	A = Lightning Arrester, Grounding Type B = Time Delay Automatically Switched Quartz F = Fusing (Not available with multivolt or 120X347V) J = Line Surge Protector, Expulsion Type Q = Non-Time Delay Automatically Switched Quartz
DKY = Dimension 1000 Luminaire with Yoke Mounting (Not UL)										

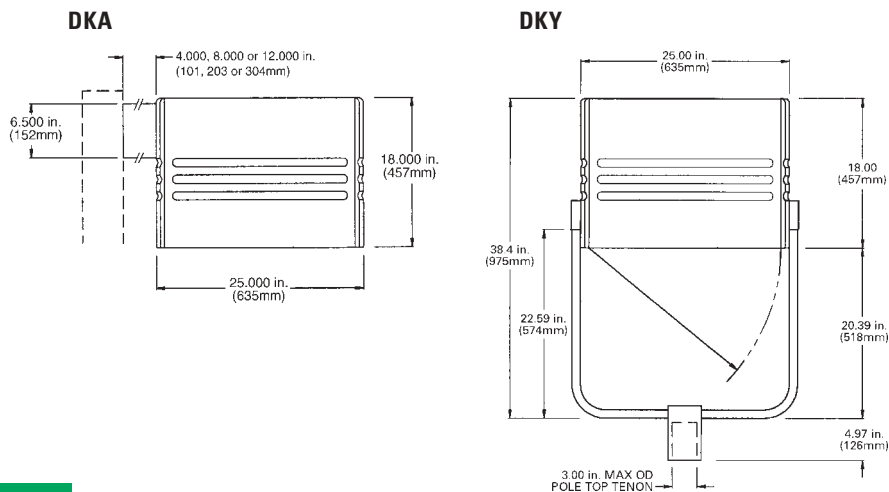
### PHOTOMETRIC SELECTION TABLE

All light sources are clear unless otherwise indicated.

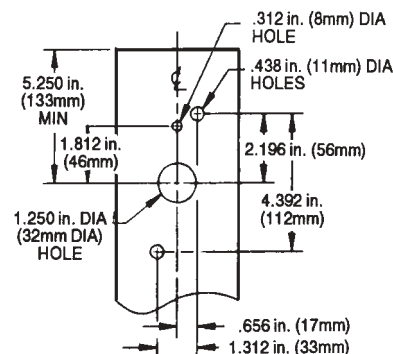
Wattage	Light Source	Cutoff Optics			Non-Cutoff	
		Asymmetric 'A'	Forward Throw 'F'	Square 'S'	Long Roadway 'L'	Square 'Q'
250-400	HPS	S-C-II (451124)	S-C-III (450983)	M-N-I (450721)	M-N-I (450728)	N/A
750	HPS	S-C-II (451123)	S-C-III (450984)	M-N-I (450719)	S-N-1 (450726)	N/A
1000	HPS	NA	S-C-III (450985)	N/A	S-N-1 (450724)	M-N-V (450717)
250	MH,PMH	NA	S-C-II (450986)	S-C-V (450722)	L-N-II (450729)	N/A
400	MH,PMH	M-C-III (451120)	S-C-IV (450987)	S-C-V (450720)	M-N-I (450727)	N/A
1000	MH,PMH	M-C-III (451117)	S-C-IV (450988)	S-C-V (450712)	M-N-II (450714)	S-S-IV (450791)
1000	MH,PMH (Coated)	S-C-III (451119)	S-C-IV (450989)	S-C-V (450713)	S-N-III (450715)	N/A

# DIMENSION™ 1000 LUMINAIRE

## FIXTURE DIMENSIONS

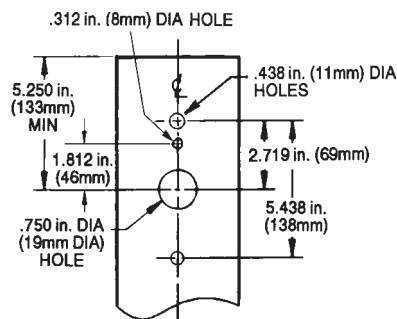


## SQUARE POLE MOUNTING: STANDARD



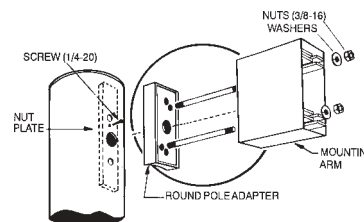
## DRILLING TEMPLATE

## ROUND POLE MOUNTING Must order Round Pole Adapter accessory separately



## DRILLING TEMPLATE

## ROUND POLE ADAPTER RPA\*\*-DS for 3.5 to 4.5 inch (89 to 114mm) OD round pole. Replace \*\* with same color code as fixture



## DATA

<b>Approximate Net Weight</b>			
1000W	68 lbs	31 kgs	
400W	64 lbs	29 kgs	
<b>Suggested Mounting Height</b>	30-50 ft.	9-15 M	
<b>Effective Projected Area:</b>			
With 4 in. (103mm) Mounting Arm	4.0 sq ft max	0.37 sq M max	
With 8 in. (203mm) Mounting Arm	4.1 sq ft max	0.38 sq M max	
With 12 in. (305mm) Mounting Arm	4.2 sq ft max	0.39 sq M max	

NOTE: For multiple fixtures on a pole, contact factory for estimated EPA.

## BALLAST SELECTION TABLE

All light sources are clear unless otherwise indicated.

Wattage	Light Source	Ballast Type/Voltage						
		60Hz					50Hz	
		Multivolt	120,208,240,277,480	120x347	347	220	230	240
250	HPS	A,M	A,M,G,B	A,G	A,G	N/A	N/A	A
400	HPS	A,M	A,M,G,B	A,G	A,G,B	N/A	N/A	A
750	HPS	H	A,B*	N/A	A	N/A	N/A	N/A
1000	HPS	A	A	N/A	A	A	A	A
250	MH	A	A,B**	A	A,B	N/A	N/A	N/A
400	MH	A	A,B	A,P	A,G,P	N/A	N/A	A
1000	MH	A	A,B	N/A	A,B	A	A	A
<b>PULSE START METAL HALIDE</b>								
250	P (MH)	A	A	N/A	N/A	N/A	N/A	N/A
400	P (MH)	A	A,B***	N/A	N/A	N/A	N/A	N/A
1000	P (MH)	A	A	N/A	A	N/A	N/A	N/A

N/A = Not Available. \*120V not available in Bi-Level.

\*\*480V not available in Bi-Level. \*\*\*Available in 277 & 480V only.

## REFERENCES

See Page A-16 for start of Accessories.  
See Page A-22 for Explanation of Options and Other Terms Used.  
See Pole and Bracket Section Page P-2 for pole selection.