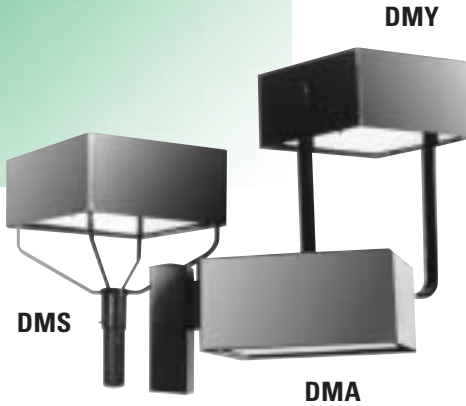


# DIMENSION™ LUMINAIRE



## APPLICATIONS

- Greater than 20 ft (6 meters) site lighting including parking areas, drive-ways, malls and shopping centers
- Commercial and industrial complexes, automobile lots and residential areas

## SPECIFICATION FEATURES

- 1598 Listed
- **Suitable For Wet Locations**
- UL Listed to Canadian National Standards and Codes
- Standard construction is IP54
- Precision engineered aluminum housing featuring die-cast ends and die-cast door
- Polyester powder paint finish standard in dark bronze, black, white, charcoal gray and aluminum
- No-tool access stainless steel latch design
- Heat and impact resistant tempered flat glass lens
- All reflectors are field rotatable
- Enclosed, sealed and gasketed housing
- Choice of mountings including Decorative Mounting Arm (4 in. [103mm] or 12 in. [305mm]), Yoke or Spider (Drilling templates are the same for the Decashield® 400 and Decashield 1000 luminaires.)
- Removable ballast tray (standard)
- Mogul base socket – E39 socket
- Magnapack packaging available for DMA only

## ORDERING NUMBER LOGIC

PRODUCT IDENT	WATTAGE	LIGHT SOURCE	VOLTAGE	BALLAST TYPE	PE FUNCTION	LENS TYPE	DISTRIBUTION TYPE	COLOR	MOUNTING ARM LENGTH	OPTIONS
XXX	XX	X	X	X	X	X	XXX	XX	X	XXX
DMA = Dimension Luminaire with Arm Mounting	07 = 70 10 = 100 NOTE: HPS only	S = HPS M = MH P = Pulse MH	60Hz 0 = 120/208/240/277 Multivolt 1 = 120 2 = 208 3 = 240 4 = 277 5 = 480 D = 347 F = 120X347 T = 220	See Ballast Selection Table A = Autoreg G = Mag-Reg with Grounded Socket Shell H = HPF Reactor or Lag M = Mag-Reg	1 = None 2 = PE Receptacle 4 = PE Receptacle and Shorting Cap NOTE: Receptacle connected same voltage as unit.	A = Acrylic Prismatic Drop Lens* (250W Max) G = Glass L = Polycarbonate Prismatic Drop Lens* (250W Max) S = SAG Glass (Required for use with VTV)	See Photometric Selection Table MC2 = Medium Cutoff Type II MC3 = Medium Cutoff Type III HTV = Horizontal Type V VTV = Vertical Type V FWT = Forward Throw	AL = Aluminum BL = Black CG = Charcoal Gray DB = Dark Bronze (Standard) WH = White	1 = 4 in. (102mm) for Singles 2 = 12 in. (305mm) for Two at 180° 3 = 12 in. (305mm) for Tri-Fixture Poles 4 = 4 in. (102mm) for Round Pole 5 = 12 in. (305mm) for Round Pole R = No arm. Housing drilled with diagonal hole pattern	A = Lightning Arrester, Grounding Type B = Time Delay C = Charcoal Filter (except on FWT and VTV) F = Fusing (Not available with multivolt or 120X347V) J = Line Surge Protector, Expulsion Type Q = Non-Time Delay Automatically Switched Quartz
DMY = Dimension Luminaire with Yoke Mounting	15 = 150 (55V) 17 = 175	Standard: Mogul base lamp not included.	50Hz 6 = 220 Y = 240 NOTE: 120X347 connected for 120V	P = CWI with Grounded Socket Shell						
DMS = Dimension Luminaire with Spider Mounting	25 = 250 40 = 400									

## PHOTOMETRIC SELECTION TABLE

All light sources are clear unless otherwise indicated.

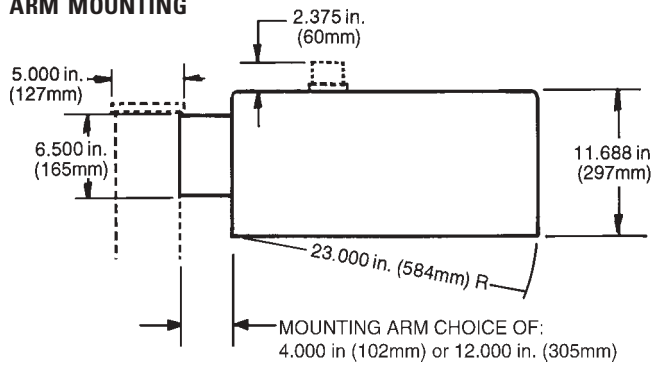
Wattage	Light Source	Photometric Curve No. 35-17 - - -													
		DMA					DMY					DMS			
		MC2	MC3	HTV	VTV	FWT	MC2	MC3	HTV	VTV	FWT	MC2	MC3	HTV	VTV
70, 100, 150 (55V) 250, 400	HPS	8871	8875	8889	8894	8882	9229	9231	8916	8922	8928	9230	9232	8934	8940
	HPS	8872	8887	8878	8895	8883	9225	9233	8917	8923	8929	9226	9234	8935	8941
175, 250, 250PMH 400, 400PMH	MH	8873	8876	8880	8896	8885	9223	9235	8919	8925	8931	9224	9236	8937	8943
	MH	8874	8877	8881	8897*	8886	9277	9276	8920	8926*	8932	9278	9275	8938	8944*

NOTE: \*Lamp required for 400 watt MH must be E-18 or ED-28 only. For Standard Lamp, you must order "S" SAG Glass lens type.

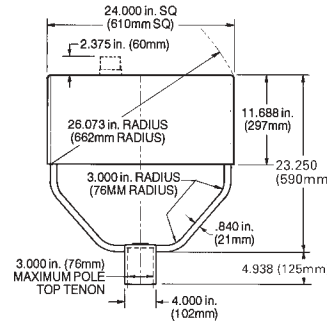
# DIMENSION™ LUMINAIRE

## FIXTURE DIMENSIONS

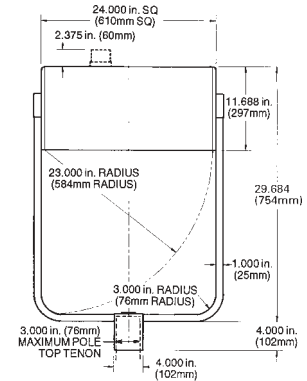
### ARM MOUNTING



### SPIDER MOUNTING



### YOKE MOUNTING



## DATA

Approximate Net Weight	45-60 lbs	20-27 kgs
Suggested Mounting Height	20-50 ft.	6-15 M
Effective Projected Area:		
With 4 in. (103mm) Mounting Arm	2.2 sq ft max	0.20 sq M max
With 12 in. (305mm) Mounting Arm	2.4 sq ft max	0.22 sq M max
Yoke Mounted	3.8 sq ft max	0.35 sq M max
Spider Mounted	2.9 sq ft max	0.27 sq M max

## BALLAST SELECTION TABLE

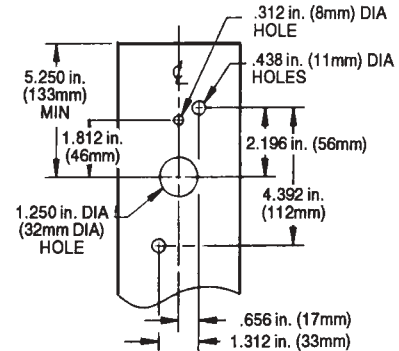
Wattage	Light Source	Ballast Type/Voltage						
		60Hz					50Hz	
		Multivolt	120	208, 240, 277, 480	347, 120X347	220	220	240
70, 100, 150 (55V) 250, 400	HPS	H	G,H,M	G,M	H	N/A	N/A	N/A
	HPS	A	A	A	A	A	A	A
175 250, 400	MH	A	A	A	A	N/A	N/A	N/A
	MH	A	A,P	A,P	A,P	A	A	A
250, 400	PMH	A	A	A	A(347)	N/A	N/A	N/A

NOTE: C/F=Contact Factory, N/A=Not Available

## REFERENCES

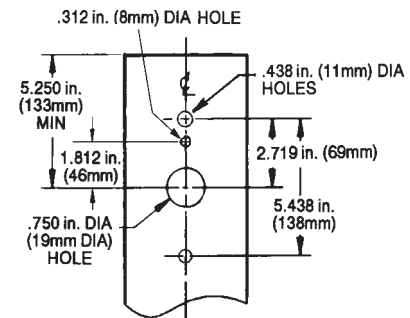
See Page A-16 for start of Accessories.  
See Page A-22 for Explanation of Options and Other Terms Used.  
See Pole and Bracket Section Page P-2 for pole selection.

## SQUARE POLE MOUNTING: STANDARD (choices 1, 2, 3 from Logic Table)



### DRILLING TEMPLATE

## ROUND POLE MOUNTING 3.5 to 4.5-inch (89 to 114mm) OD round pole mounting arm (choices 4, 5, 6 from Logic Table)



### DRILLING TEMPLATE