

DECASPHERE™ LUMINAIRE



APPLICATIONS

- Greater than 20 ft (6 meters) site lighting including parking areas, driveways, malls and shopping centers
- Commercial and industrial complexes, automobile lots, residential areas and street lighting

SPECIFICATION FEATURES

- 1598 Listed
- **Suitable For Wet Locations**
- Standard construction is IP54
- Spun aluminum housing and die-cast door
- Polyester powder paint finish standard in dark bronze, black, white and aluminum
- Heat and impact resistant tempered flat glass and SAG glass lenses
- Vertical lamp square distribution reflector with SAG glass only
- All reflectors are field rotatable
- Enclosed, sealed and gasketed optical
- Choice of 6-inch (152mm) arm or tenon top mounting
- Terminal Board (Standard)
- Mogul base socket – E39 socket
- Magnapack packaging available
- Ballast tray standard

ORDERING NUMBER LOGIC

PRODUCT IDENT	WATTAGE	LIGHT SOURCE	VOLTAGE	BALLAST TYPE	PE FUNCTION	LENS TYPE	DISTRIBUTION TYPE	COLOR	MOUNTING	OPTIONS
XXX	XX	X	X	X	X	X	XXX	XX	X	XXX
DCF = Decasphere Luminaire Flat Top	07 = 70 10 = 100 NOTE:HPS only	S = HPS M = MH P = Pulse MH	60Hz 0 = 120/208/240/277 Multivolt 1 = 120 2 = 208 3 = 240 4 = 277 5 = 480 D = 347 F = 120X347	See Ballast and Photometric Selection Table A = Autoreg G = Mag-Reg with Grounded Socket Shell H = HPF Reactor or Lag M = Mag-Reg P = CWI with Grounded Socket Shell	1 = None 2 = PE Receptacle 4 = PE Receptacle and Shorting Cap NOTE: Receptacle connected same voltage as unit.	G = Flat Glass S = SAG Glass	See Ballast and Photometric Selection Table MC2 = Medium Cutoff Type II (flat or SAG glass) MC3 = Medium Cutoff Type III (flat or SAG glass) FWT = Forward Throw (flat or SAG glass) HTV = Horizontal Type V (flat or SAG glass) SQA = Square Type V- requires vertical lamp (SAG glass only)	AL = Aluminum BL = Black CG = Charcoal Gray DB = Dark Bronze (Standard) WH = White AB = Aluminum (Black Reveal) BW = Black (White Reveal) DW = Dark Bronze (White Reveal) DK = Dark Bronze (Black Reveal) WB = White (Black Reveal) For other colors contact factory	1 = 6-in. (152mm) arm R = No Arm (For use with Top Tenon Accessory)	C = Charcoal Filter (except on FWT) F = Fusing (Not available with multivolt or 120X347V) J = Line Surge Protector, Expulsion Type N = Suitable for high vibration applications, such as bridges and overpasses (tested to 3g vibration) (DCF only)
DCD = Decasphere Luminaire Dome	15 = 150 (55V) 17 = 175 25 = 250 40 = 400	Standard: Mogul base lamp not included.	NOTE: 120X347 connected for 120V							

BALLAST AND PHOTOMETRIC SELECTION TABLE

All light sources are clear unless otherwise indicated.

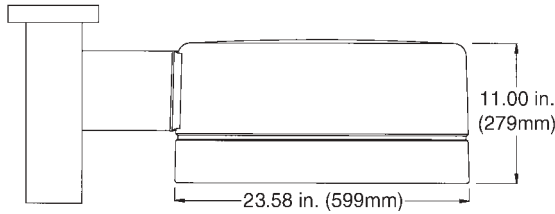
Wattage	Light Source	Ballast Type/Voltage							Photometric Curve Number 35-17 - - - -				
		60Hz							IES Distribution Type				Vertical Lamp Sagged Glass Only
		Multivolt	120	208	240	277	347 120x347	480	MC2	MC3	FWT	HTV	
70, 100, 150 (55V)	HPS	H	H,M	M	M	M	M	M	9523	9530	9520	9534	9526
250, 400	HPS	A, M	A,G,M	A,H,M	A,H,M	A, M	A,G,M	A,M	9519	9529	9518	9533	9308
175, 250	MH	A	A	A	A	A	A	A	9525	9532	9522	9536	9528
400	MH	A	A,P	A	A	A	A,G,P	A	9524	9531	9521	9535	9527
250	PMH	A	A	A	A	A	A(347)	A	9325	9532	9522	9536	9528
400	PMH	A	A	A	A	A	A(347)	A	9524	9531	9521	9535	9527

DECASPHERE™ LUMINAIRE

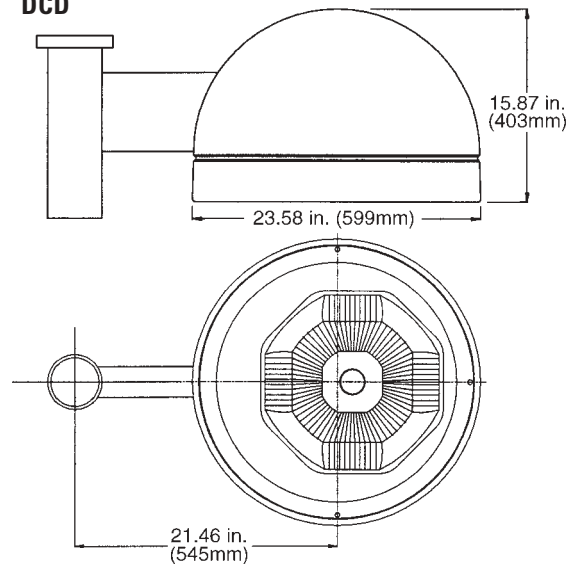
DECASPHERE AREA LIGHTING

FIXTURE DIMENSIONS

DCF

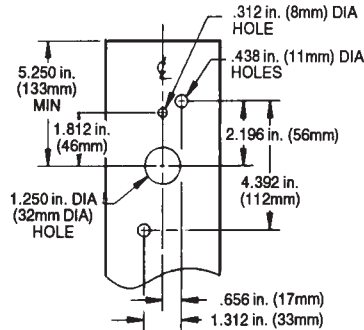


DCD

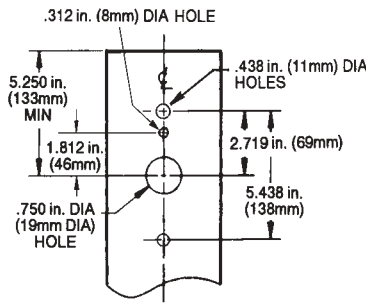


DATA

Approximate Weight	40-48 lbs	18-22 kgs
Suggested Mounting Height	20-40 ft.	6-12 M
Effective Projected Area:		
Flat Top	1.9 sq ft max	0.18 sq M max
Dome Top	1.8 sq ft max	0.17 sq M max

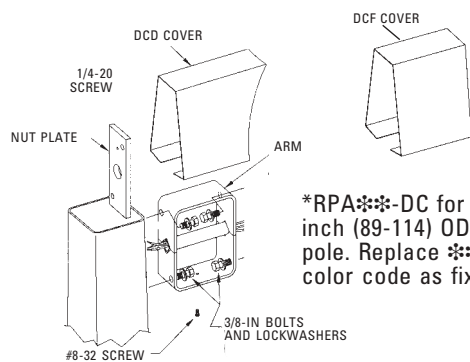


DRILLING TEMPLATE FOR SQUARE POLE MOUNTING: STANDARD



DRILLING TEMPLATE FOR ROUND POLE MOUNTING: MUST ORDER ROUND POLE ADAPTER ACCESSORY SEPARATELY*

POLE MOUNTING DETAIL:



*RPA**-DC for 3.5 to 4.5 inch (89-114) OD round pole. Replace ** with same color code as fixture

TOP TENNON ACCESSORY (Order fixture with "R" Mounting)

- D4TA**-R-SGL = Single
- D4TA**-R-D90 = Double at 90°
- D4TA**-R-D180 = Double at 180°
- D4TA**-R-T90 = Triple at 90°
- D4TA**-R-Q90 = Quad at 90°
- ** Use same color code as fixture

NOTE: Ordering Numbers are for dome top luminaires; add "F" to Ordering Number for flat top luminaires.

REFERENCES

See Page A-16 for start of Accessories.
See Page A-22 for Explanation of Options and Other Terms Used.
See Pole and Bracket Section Page P-2 for pole selection.