



# DECASHIELD® 400 LUMINAIRE

## APPLICATIONS

- Walkways, driveways, tennis courts, malls, shopping centers, commercial and industrial complexes
- Residential areas and parkway lighting.

## SPECIFICATION FEATURES

- 1598 Listed
- **Suitable For Wet Locations**
- Standard construction is IP54
- Heavy-duty die-cast aluminum housing and door
- Polyester powder paint finish standard in dark bronze, black, white, gray or aluminum
- No-tool access stainless steel latch design
- Heat and impact resistant tempered flat glass lens
- ALGLAS® finish on Type II, Type III and Type V reflectors, anodized finish on Forward Throw reflector
- Type II, Type III metal halide, and all Forward Throw reflectors are field rotatable
- Enclosed and gasketed optical
- Decorative Mounting Arm standard for flat or curved (for 3.5 to 4.5) OD pole (drilling templates are the same as those for the Decashield 1000 and Dimension™ luminaires)
- Mogul base socket – E39 standard
- Plug-in ignitor
- Unit shipped complete in one carton (Ballast secured to housing)
- Removable ballast tray
- Magnapack packaging available

## ORDERING NUMBER LOGIC

PRODUCT IDENT	WATTAGE	LIGHT SOURCE	VOLTAGE	BALLAST TYPE	PE FUNCTION	LENS TYPE	IES DISTRIBUTION TYPE	COLOR	OPTIONS
XXXX	XX	X	X	X	X	X	XXX	XX	XXX
<b>DSMT =</b> Decashield 400 Luminaire with Ballast Tray Flat Surface & Mounting Arm  <b>DSME =</b> Decashield 400 Luminaire with 2" External Slipfitter Installed  <b>DSMR =</b> Decashield 400 Luminaire with Ballast Tray & Direct Mounting Arm to Round Pole	15 = 150 (55V) 17 = 175 24 = 250/400* 25 = 250 40 = 400  *250/400 connected for 120V	<b>S = HPS</b> <b>M = MH</b> <b>P = Pulse MH</b> Standard: Mogul base lamp not included.	<b>60Hz</b> 0 = 120/208/240/277 Multivolt 1 = 120 2 = 208 3 = 240 4 = 277 5 = 480 D = 347 F = 120X347 T = 220  <b>50Hz</b> Y = 240  NOTE: 120X347 connected for 120V	See Ballast and Photometric Selection Table A = Autoreg D = Bi-Level G = Mag-Reg with Grounded Socket Shell H = HPF Reactor or Lag K = Hot Restrike (Must also order "P" option at right. (Non-UL) Contact Factory) M = Mag-Reg P = CWI with Grounded Socket Shell	1 = None 2 = PE Receptacle 4 = PE Receptacle and Shorting Cap  NOTE: Receptacle connected same voltage as unit.	G = Glass	See Ballast and Photometric Selection Table  MC2 = Medium Cutoff Type II  MC3 = Medium Cutoff Type III  FWC = FWT w/ILS  FWT = Forward Throw  HTV = Horizontal Type V	AL = Aluminum BL = Black DB = Dark Bronze (Standard) CG = Charcoal Gray WH = White  NOTE: Contact factory for other colors.	A = Lightning Arrester, Grounding Type C = Charcoal Filter (Not available with FWT) F = Fusing (Not available with multivolt or 120X347V) J = Line Surge Protector, Expulsion Type P = Prewire with 6' of 14/3 cable. R = No Mounting Arm Q = Non-Time Delay Automatically Switched Quartz

## BALLAST AND PHOTOMETRIC SELECTION TABLE

All light sources are clear unless otherwise indicated.

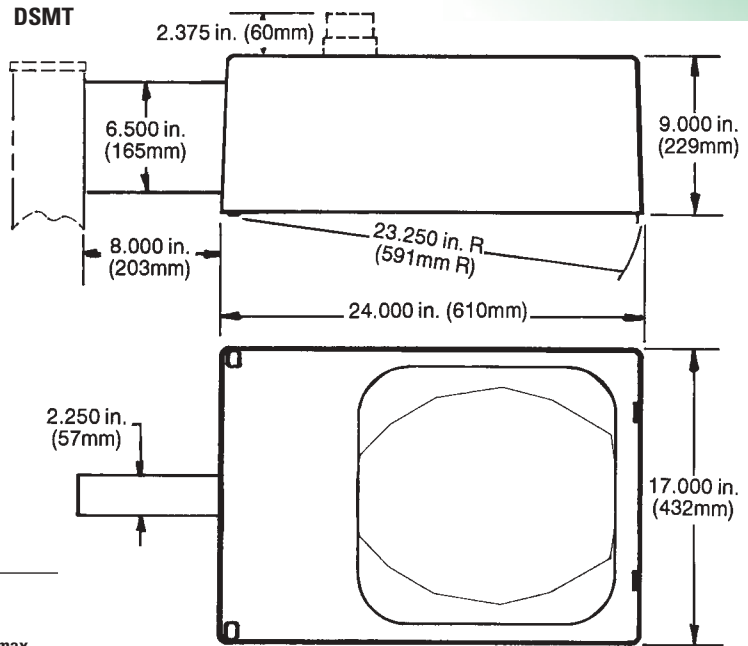
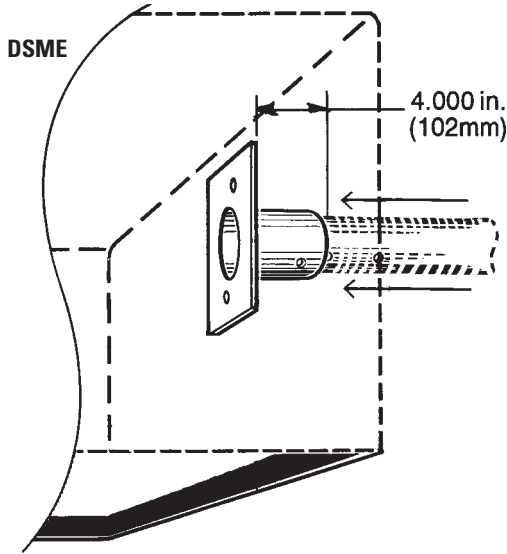
Wattage	Light Source	Ballast Type/Voltage						Photometric Curve Number 35-17 - - - -				
		60Hz			50Hz			IES Distribution Type				
		Multivolt	120	208, 240, 277, 480	347, 120X347	220	240	MC2	MC3	FWT	HTV	FWC
150(55V)	HPS	H,M,A	G,H,M,A	G,M,A	H	N/A	N/A	8591	8596	8604	8599	452557
250, 400	HPS	A	A, P	A, P	A, P	A,H	A	8592	7315	8605	8600	452555
175, 250	MH	A	A	A	A	A	N/A	8594	8597	8607	8602	452559
400	MH	A	A, P	A, P	A, P	A	A	8595	8598	8608	8603	452554
250	PMH	A	A	A	A(347)	N/A	N/A	8594	8597	8607	8602	452559
400	PMH	A	A	A	A(347)	N/A	N/A	8595	8598	8608	8603	452554

NOTE: N/A = Not available.

# DECASHIELD® 400 LUMINAIRE

DECASHIELD 400 AREA LIGHTING

## FIXTURE DIMENSIONS

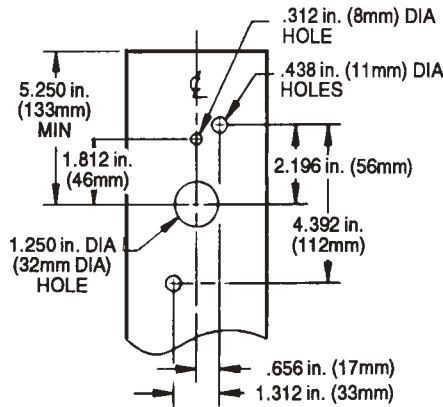


### DATA

Approximate Net Weight	35-45 lbs	16-18 kgs
Suggested Mounting Height	20-40 ft.	6-12 M
Effective Projected Area:		
No Mounting Arm	1.4 sq ft max	0.13 sq M max
Single with 8 in. (203mm) Mounting Arm	1.8 sq ft max	0.17 sq M max
Double with 8 in. (203mm) Mounting Arm at 180°	3.6 sq ft max	0.33 sq M max
Triple with 8 in. (203mm) Mounting Arm at 90°	4.3 sq ft max	0.40 sq M max
Quad with 8 in. (203mm) Mounting Arm at 90°	4.9 sq ft max	0.46 sq M max
Double with 8 in. (203mm) Mounting Arm at 90°	2.5 sq ft max	0.23 sq M max

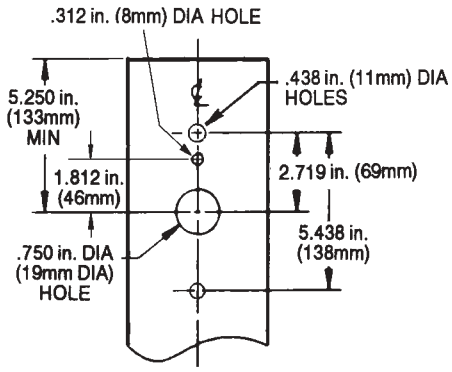
**NOTE:** The wind loading of Decashield Luminaires, when mounted to poles in multiples radially about the axis of the pole, do not necessarily have the EPA of a single luminaire multiplied by the number of luminaires.

### DSMT SQUARE POLE MOUNTING: STANDARD



DRILLING TEMPLATE

### DSMR ROUND POLE MOUNTING 3.5 to 4.5-inch (89 to 114mm) OD round pole



DRILLING TEMPLATE

### REFERENCES

See Page A-16 for start of Accessories.  
 See Page A-22 for Explanation of Options and Other Terms Used.  
 See Pole and Bracket Section Page P-2 for pole selection.