



SPMM
with flat glass



SYMM

DECASHIELD® 175 LUMINAIRE

APPLICATIONS

- Entranceways, walkways and parking areas
- Driveways, malls and cutoff wall lighting (with wall mounting plate)

SPECIFICATION FEATURES

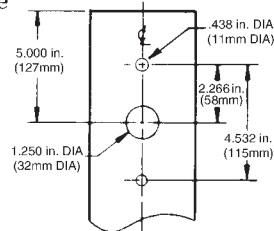
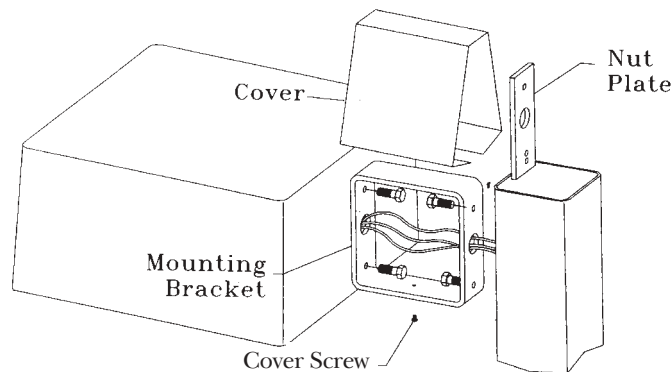
- / 1598 Listed
- **Suitable For Wet Locations**
- Standard construction is IP55
- Cutoff optics
- Enclosed and gasketed
- Heat and impact resistant tempered flat glass lens (standard)
- UV stabilized polycarbonate or acrylic prismatic drop lens (optional)
- Heavy-duty die-cast aluminum housing
- For cutoff wall lighting applications, order wall mounting plate **WMPDB-SP** separately
- Shipped assembled with medium base – E26 standard – with lamp installed in socket
- Plug-in ignitor
- Unit shipped complete in one carton (Ballast secured to housing)
- Magnapack packaging available

ORDERING NUMBER LOGIC

PRODUCT IDENT	WATTAGE	LIGHT SOURCE	VOLTAGE	BALLAST TYPE	PE FUNCTION	LENS TYPE	IES DISTRIBUTION TYPE	COLOR	OPTIONS
XXXX	XX	X	X	X	X	X	XXX	XX	XXX
SPMM = Square Pole Mount	05 = 50 07 = 70 10 = 100 15 = 150 (55V) 17 = 175	S = HPS M = MH or Merc Standard: Medium base lamp installed in socket	60Hz 0 = 120/208/240/277 Multivolt 1 = 120 2 = 208 3 = 240 4 = 277 5 = 480 D = 347 F = 120X347 T = 220 50Hz 6 = 220 NOTE: Dual voltage connected for lower voltage	See Ballast and Photometric Selection Table A = Autoreg D = Bi-Level G = Mag-Reg with Grounded Socket Shell H = HPF Reactor or Lag M = Mag-Reg (Use only for 50, 70, 100, 150 watt HPS 480 volt)	1 = None 2 = PE Receptacle NOTE: Receptacle connected same voltage as unit. Order PE Control separately.	A = Acrylic 2-in. (51mm) Drop Lens G = Flat Tempered Glass L = Polycarbonate 2-in. (51mm) Drop Lens (Required for Switched Quartz)	See Ballast and Photometric Selection Table SC3 = Short Cutoff Type III SC5 = Short Cutoff Type V MC3 = Medium Cutoff Type III MC5 = Medium Cutoff Type V	AL = Aluminum BL = Black DB = Dark Bronze G = Gray WH = White	B = Time Delay Switched (Drop Lens only) F = Fusing (Not available with multivolt or dual voltage) Q = Non Time Delay Switched Quartz (Drop Lens only)

QUICK AND EASY INSTALLATION

(Housing access not required)



DRILLING TEMPLATE FOR SQUARE and ROUND POLES

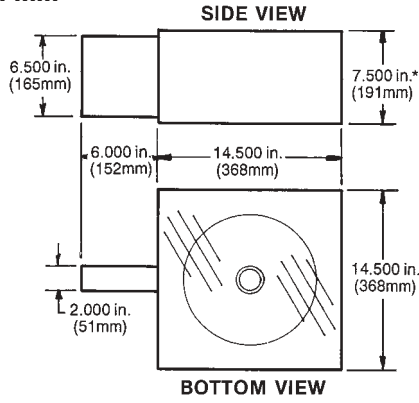
- Pull power supply cable through nut plate hole and secure with strain relief assembly.
- Attach mounting bracket to pole and nut plate.
- Attach mounting bracket to luminaire housing. Pull luminaire leads into pole through wire access holes and connect leads according to wiring instructions. Install pole cap.
- Install cover and secure with cover screw.

DECASHIELD® 175 LUMINAIRE

DECASHIELD 175 AREA LIGHTING

FIXTURE DIMENSIONS

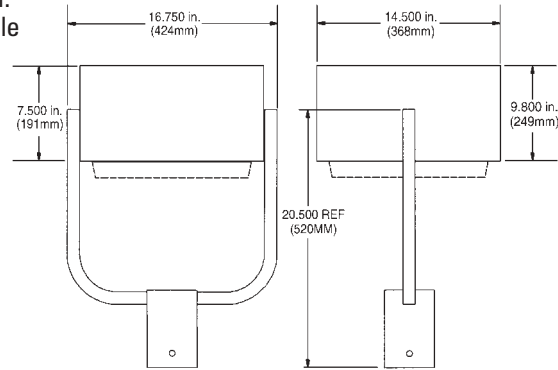
SPMM



*WITH DROP LENS ADD 2.000 in. (51mm)

SYMM

For mounting on 3.000 in. (76mm) pole tenon



DATA

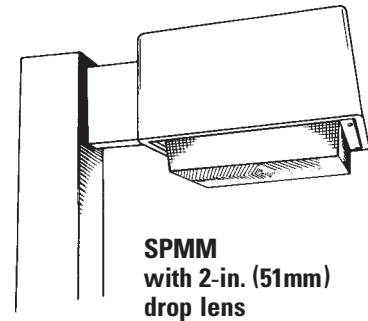
Approximate Net Weight	20 lbs	9 kgs
Suggested Mounting Height	12-20 ft	4-6 M
Effective Projected Area	1.0 sq ft max	0.09 sq M max

BALLAST AND PHOTOMETRIC SELECTION TABLE

All light sources are clear unless otherwise indicated.

Wattage	Light Source	Ballast Type/Voltage					Amb. °C	Photometric Curve Number 35-17 - - - -			
		Multi-volt	60Hz		50Hz			Flat Glass	2-in. (51mm) Drop		
			120, 208, 240, 277, 480	347, 120X347	220	220			Acrylic	Polycarb.	
							IES Distribution Type				
							MC3	SC5**	SC5**	SC5**	
SPMM											
50	HPS	H	H	H	N/A	N/A	25	8265	8307	8305	8306
70, 100, 150 (55V)	HPS	H	G, H*, M	H	N/A	H	25	8265	8307	8305	8306
70, 100	MH	H	H	C/F	N/A	N/A	25	8271	8665	8666	8667
175	MH	A	A	A	A	A	25	8271	8665	N/A	N/A
SYMM											
50	HPS	H	H	H	N/A	N/A	25	8526	8522	N/A	N/A
70, 100, 150 (55V)	HPS	H	G, H*, M	H	N/A	H	25	8526	8522	N/A	N/A
70, 100	MH	H	H	C/F	N/A	N/A	25	8527	8524	N/A	N/A
175	MH	A	A	A	A	A	25	8527	8524	N/A	N/A

NOTE: N/A = Not Available C/F = Contact Factory
 NOTE: *480 volt is A or M
 NOTE: **Coated lamp standard for SC5



REFERENCES

See Page A-16 for start of Accessories.
 See Page A-22 for Explanation of Options and Other Terms Used.
 See Pole and Bracket Section Page P-2 for pole selection.