



Vertical



Horizontal

CRITERION™ AREA LIGHTING

Featuring SnapDrive™

APPLICATIONS

- Walkways, driveways, tennis courts, malls and shopping centers
- Commercial and industrial complexes, residential areas and parkway lighting

SPECIFICATION FEATURES

- 1598 Listed
- **Suitable For Wet Locations**
- Scaled family styling for a consistent site-enhancing look – day and night
- Die-cast aluminum housing for strength, beauty and low maintenance
- Concealed continuous gasket seals against harmful dust, dirt, moisture and insects (IP65 rating)
- Tool-less entry for easy, economical maintenance
- Activated charcoal breath-way for clean ventilation and long term maintained foot candle levels
- Predrilled integral mounting surfaces for quick installation of accessories
- Low-profile hinges and latches for a clean look
- Choice of a palette of standard colors, 188 RAL colors, or your own custom color in fade- and abrasion-resistant powder and liquid paints
- Reflector section, optimized for typical applications – facilitates and maximizes design flexibility
- Reflector is computer optimized for MH lamps to maximize efficiency
- Optical insert redirects nadir focused light into a projected beam for enhanced uniformity
- Rugged hydro-formed reflector for consistent, repeatable performance
- ALGLAS® coating seals reflectors from contaminants for superior long term performance
- Square Type V distribution minimizes adjacent luminaire overlap and improves uniformity
- Field-rotatable reflector allows design flexibility and fine tuning without housing reorientation
- 250w to 1000w MH, PMH and HPS lamp operations (Consult ballast selection table for availability.)
- Designed for compact lamps minimizing EPA and pole costs.
- Optional switched quartz
- Optional single & dual fusing
- Optional full size twist lock PE receptacle
- Optional Bi-level switching
- Matched line of poles for the utmost simplified ordering
- Optional digital diagnostic tester available for long-term maintenance

ORDERING NUMBER LOGIC

PRODUCT IDENT	WATTAGE	LIGHT SOURCE	VOLTAGE	BALLAST TYPE	PE CONTROL	PHOTOMETRIC DISTRIBUTION	COLOR	MOUNTING	OPTIONS
XXXX	XX	X	X	X	X	XX	XXXX	X	X
CHMX = Medium Horizontal Lamp	25 = 250 (M) 32 = 320 (M)	S = HPS M = MH	60Hz 0 = 120/208/240/ 277*	See Ballast Selection Table	1 = No PE 2 = With PE Receptacle	A = Flat Glass* Asymmetric, Narrow B = Flat Glass* Asymmetric, Wide C = Flat Glass* Forward Throw D = Flat Glass* Symmetric, Square E = Sag Glass** Asymmetric, Narrow F = Sag Glass** Asymmetric, Wide G = Sag Glass** Forward Throw H = Sag Glass** Symmetric, Square	Standard Colors DKBZ = Dark Bronze BLCK = Black WHITE = White Special Colors Insert four digit color code from RAL Color Chart	A = 4 in. Mounting Arm* B = 8 in. Mounting Arm** C = 12 in. Mounting Arm D = 4 in. Curved Mounting Arm for Round Pole* E = 8 in. Curved Mounting Arm for Round Pole** F = 12 in. Curved Mounting Arm for Round Pole	A = Lighting Arrester, Grounded Type B = Time Delay Automatically Switched Quartz F = Fusing* J = Line Surge Protector, Expulsion Type Q = Non-Time Delay Switched Quartz T = Terminal Board XXX = Special Options * Fusing not available with multivolt
CVMX = Medium Vertical Lamp	40 = 400 (M) 01 = 1000 (L)	P = pulse start MH	MULTIVOLT 1 = 120 2 = 208 3 = 240 4 = 277 5 = 480 P = 347, 120x277 D = 347 P = 120X277X347**	A = Autoreg D = BiLevel III 400W & 1000W					
CHLX = Large Horizontal Lamp	M = Medium L = Large	Lamp included							
CVLX = Large Vertical Lamp									
CHMC = Medium Horizontal Lamp for Canada									
CVMC = Medium Vertical Lamp for Canada									
CHLC = Large Horizontal Lamp for Canada									
CVLC = Large Vertical Lamp for Canada									

PHOTOMETRIC SELECTION TABLE

Horizontal Luminaire Size	Wattage	Light Source	Flat Glass Asymmetric (Narrow)	Flat Glass Asymmetric (Wide)	Flat Glass (Forward Throw)	Flat Glass Symmetric (Square)
Medium (CHMX, CHMC)	250	HPS	451862	451863	451864	451865
	400	HPS	451728	451731	451734	451737
	250	MH	451870	451871	451872	451873
	400	MH	451727	451730	451733	451736
	250	PMH	451866	451867	451868	451869
	400	PMH	451729	451732	451735	451738
Large (CHLX, CHLC)	1000	MH	451739	451741	451743	451745
Vertical Luminaire Size	Wattage	Light Source	Sag Glass Asymmetric (Narrow)	Sag Glass Asymmetric (Wide)	Sag Glass (Forward Throw)	Sag Glass Symmetric (Square)
Medium (CVMX, CVMC)	250	HPS	451874	451875	451876	451877
	400	HPS	451708	451711	451714	451717
	250	MH	451882	451883	451884	451885
	400	MH	451707	451710	451713	451716
	250	PMH	451878	451879	451880	451881
	400	PMH	451709	451712	451715	451718
Large (CVLX, CVLC)	750	PMH	452668	452669	452670	452671
	1000	MH	451719	451721	451723	451725
Vertical Luminaire Size	Wattage	Light Source	Flat Glass Asymmetric (Narrow)	Flat Glass Asymmetric (Wide)	Flat Glass (Forward Throw)	Flat Glass Symmetric (Square)
Large (CVLX, CVLC)	750	PMH	N/A	452626	451631	452624
	1000	MH	N/A	452625	451425	452623

REFERENCES

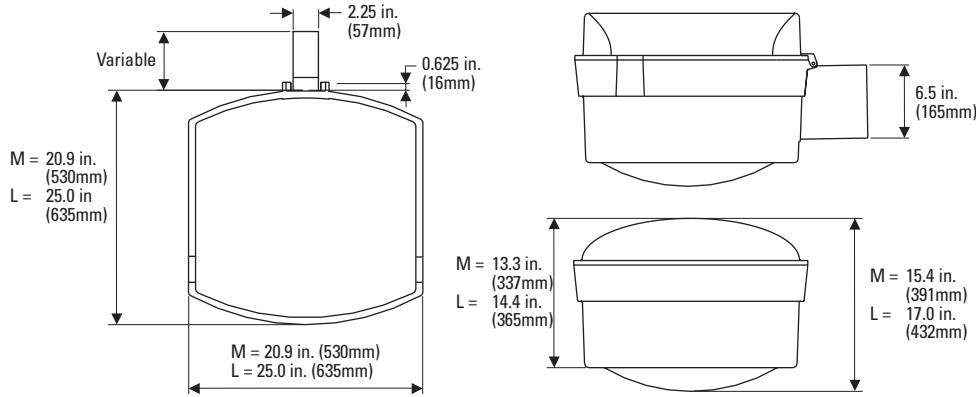
See Page A-16 for start of Accessories.
 See Page A-22 for Explanation of Options and Other Terms Used.
 See Pole and Bracket Section Page P-2 for pole selection.

CRITERION™ AREA LIGHTING

CRITERION AREA LIGHTING

FIXTURE DIMENSIONS

Vertical



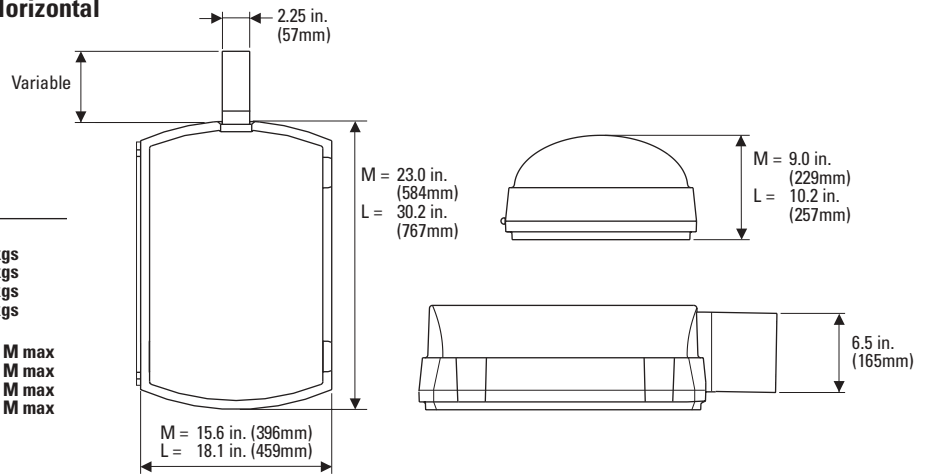
DRILLING TEMPLATE

Refer to Page A-7 for drilling template dimensions.

DATA

Approximate Net Weight		
Medium Vertical	45-70 lbs	20-32 kgs
Medium Horizontal	34-45 lbs	16-21 kgs
Large Vertical	60-70 lbs	27-32 kgs
Large Horizontal	60-70 lbs	27-32 kgs
Effective Projected Area:		
Medium Vertical	2.3 sq ft max	.220 sq M max
Medium Horizontal	1.5 sq ft max	.142 sq M max
Large Vertical	3.0 sq ft max	.282 sq M max
Large Horizontal	2.4 sq ft max	.222 sq M max
Typical Mounting Height		
Medium	20-40 ft	6-12 M
Large	30-50 ft	9-15 M

Horizontal



BALLAST SELECTION TABLE

All HID light sources are clear unless otherwise indicated.

Housing Type	Wattage	Source	Lamp Size	Multivolt	120	208	240	277	480	347	120 x 277 x 347
CHMX	250, 400	HPS	ED28	A	A,D	A,D	A,D	A,D	A,D	N/A	N/A
	250, 400	MH	ED28	A	A	A	A	A	A	N/A	N/A
	250, 400	PMH	ED28	A	A	A	A	A	A	N/A	N/A
CHLX	1000	MH	BT37	A	A	A	A	A	N/A	N/A	
CVMX	250, 400	HPS	ED28	A	A,D	A,D	A,D	A,D	A,D	N/A	N/A
	250, 400	MH	ED28	A	A,D	A,D	A,D	A,D	A,D	N/A	N/A
	250, 400	PMH	ED28	A	A	A	A	A	A	N/A	N/A
CVLX	1000	MH	BT37	A	A,D	A,D	A,D	A,D	A,D	N/A	N/A
	1000	PMH	BT37	A	A	A	A	A	A	N/A	N/A
CHMC Canada	250, 400	HPS	ED28	N/A	A,D	N/A	N/A	A,D	N/A	A,D	A
	250, 400	MH	ED28	N/A	A	N/A	N/A	A	N/A	A	A
	250, 400	PMH	ED28	N/A	A	N/A	N/A	A	N/A	A	A
CHLC Canada	1000	MH	BT37	N/A	A	N/A	N/A	A	N/A	A	A
CVMC Canada	250, 400	HPS	ED28	N/A	A,D	N/A	N/A	A,D	N/A	A,D	N/A
	250, 400	MH	ED28	N/A	A,D	N/A	N/A	A,D	N/A	A,D	A
	250, 400	PMH	ED28	N/A	A	N/A	N/A	A	N/A	A	A
CVLC Canada	1000	MH	BT37	N/A	A,D	N/A	N/A	A,D	N/A	A,D	A
	1000	PMH	BT37	N/A	A	N/A	N/A	A	N/A	A	A

NOTE: N/A = Not Available

SUGGESTED CONFIGURATION

HORIZONTAL

ACCESS ROAD LIGHTING

400 watt	CHMX	40	P	O	A	1	A	DKBZ	A	C
1000 watt	CHMX	40	P	O	A	1	B	DKBZ	A	C

1000 watt

N/A

PARKING PERIMETER LIGHTING

400 watt	CHMX	40	P	O	A	1	C	DKBZ	A	C
1000 watt	CHLX	01	M	O	A	1	C	DKBZ	A	C

PARKING LOT LIGHTING

400 watt	CHMX	40	P	O	A	1	D	DKBZ	A	C
1000 watt	CHLX	01	M	O	A	1	D	DKBZ	A	C

VERTICAL

ACCESS ROAD LIGHTING

400 watt	CVMX	40	P	O	A	1	E	DKBZ	B	C
1000 watt	CVMX	40	P	O	A	1	F	DKBZ	B	C

1000 watt

N/A

PARKING PERIMETER LIGHTING

400 watt	CVMX	40	P	O	A	1	G	DKBZ	B	C
1000 watt	CVLX	01	M	O	A	1	G	DKBZ	B	C

PARKING LOT LIGHTING

400 watt	CVMX	40	P	O	A	1	H	DKBZ	B	C
1000 watt	CVLX	01	M	O	A	1	H	DKBZ	B	C