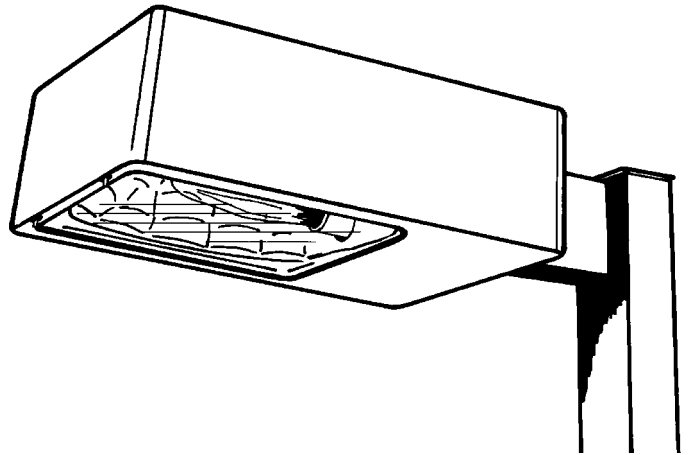




Decashield® 1000 Luminaire

SUGGESTED APPLICATIONS

High wattage site lighting applications including parking areas, roadways, outdoor areas at car dealerships, tennis courts, malls and commercial complexes.



FEATURES

- Precision engineered aluminum housing featuring die-cast ends and die-cast door frame
- Smooth polyester powder paint finish available in choice of dark bronze (standard), black, charcoal gray, white or aluminum
- Stainless steel latch design and one-piece door assembly
- Multiple distribution choices including Forward Throw
- All reflectors are field rotatable
- Enclosed and gasketed housing
- Removable ballast tray (standard on all units)
- Choice of mountings including Arm (4 in. [102mm], 8 in. [203mm] or 12 in. [305mm])
- GE designed and built ballast
- Five year fixture failure warranty
- UL1572 Listed **SUITABLE FOR WET LOCATIONS**, CSA Certified

BENEFITS

- **Combines classic contemporary styling with rugged, lightweight durability**
- **Provides both corrosion resistance and smooth aesthetic appearance**
- **No-tool access to the optical compartment for quick and easy maintenance**
- **Meets numerous application requirements**
- **Provides lighting design flexibility**
- **Helps maintain light output levels with low maintenance**
- **Quick and easy maintenance**
- **Meets numerous application requirements**
- **Proven long life and reliable operation**
- **Assurance of highest quality and trouble-free performance**
- **Meets specification requirements**



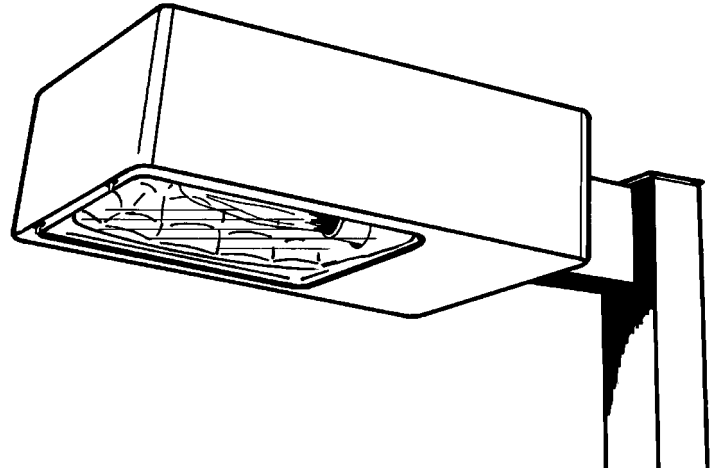
DECASHIELD® 1000 LUMINAIRE

APPLICATIONS

High wattage site lighting including parking areas, roadways, automobile lots, tennis courts, malls and commercial complexes

SPECIFICATION FEATURES

- UL1572 Listed SUITABLE FOR WET LOCATIONS
- CUL Listed
- Standard construction is IP54
- Precision engineered aluminum housing featuring die-cast ends and die-cast door frame
- Polyester powder paint finish for dark bronze, black, charcoal gray, white or aluminum
- No-tool access stainless steel latch design
- Heat and impact resistant tempered flat glass lens
- Removable ballast tray—standard
- Utilizes standard 1000 watt lamps
- Available with Type I, Type II, Type III or Forward Throw
- All reflectors are field rotatable
- Enclosed and gasketed housing
- Decorative Mounting Arm (4 in. [103mm], 8 in. [203mm] or 12 in. [305mm]) (Drilling templates are the same for the Decashield 400 and Dimension™ luminaires.)
- Mogul base socket – E39 standard
- Magnapack packaging available



ORDERING NUMBER LOGIC



DSA 01 S 1 A 2 G FWT DB 1 F

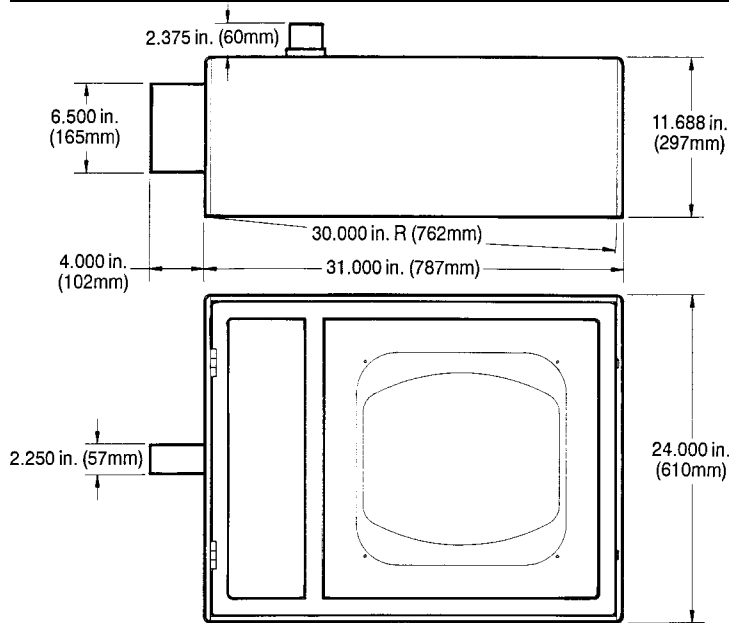
PRODUCT ID. XXX	WATTAGE XX	LIGHT SOURCE X	VOLTAGE X	BALLAST TYPE X	FE FUNCTION X	LENS TYPE X	IES DISTRIBUTION TYPE XXX	COLOR XX	MOUNTING ARM LENGTH X	OPTIONS XXX
DSA = Decashield1000 LuminairewithArm Mounting	75 = 750 01 = 1000	S = HPS M = MH Standard Mogulbase lampnot included	60Hz 0 = 120/208/240/277 Multivolt 1 = 120 2 = 208 3 = 240 4 = 277 5 = 480 D = 347 F = 120X347 T = 220 50Hz 6 = 220 R = 230 Y = 240 NOTE 120X347 connectedfor 120V	SeeBallastand Photometric SelectionTable A = Autoreg H = HPF Reactoror Lag P = CVMwith Grounded Socket Shell	1 = None 2 = PEReceptacle 4 = PEReceptacle and Shorting Cap NOTEReceptacle connectsame volt-ageasunit.	G = Glass	SeeBallastand Photometric SelectionTable MC1 = Medium CutoffType I SC2 = Short CutoffType I MC2 = Medium CutoffType I MC3 = Medium CutoffType III FWT = Forward Throw	AL = Aluminum BL = Black DB = Dark Bronze (Standard) CG = Charcoal Gray WH = White	1 = 4in.(102mm)for Singles,Twoat 180° 2 = 12in.(305mm)for Twoat90°Tri-FixturePoles, Quad-FixturePoles 3 = 8in.(203mm)for Singles,Twoat 180° 4 = 4in.(102mm)for RoundPole 5 = 12in.(305mm)for RoundPole 6 = 8in.(203mm)for RoundPole R = Noarm.Housing drilledwithdiagonal holepattern	A = Lightning Arrester, Grounding Type B = TimeDelay Automatically Switched Quartz F = Fusing(Not availablewith multivoltor 120X347V) J = LineSurge Protector, ExpulsionType Q = Non-Time Delay Automatically Switched Quartz

The catalog numbers, options and modifications on this page are UL Listed unless otherwise noted.
 Trademark of General Electric Company
 Registered Trademark of General Electric Company
 Data subject to change without notice

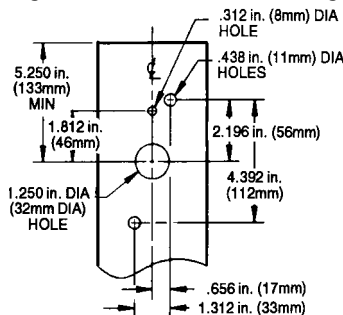


DECASHIELD® 1000 LUMINAIRE

DIMENSIONS

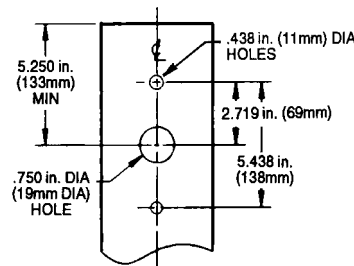


SQUARE POLE MOUNTING (Mounting Arm choices 1, 2, 3 from Logic Table)



DRILLING TEMPLATE

ROUND POLE MOUNTING 3.5 to 4.5-inch (89 to 114mm) OD round pole (Mounting Arm choices 4, 5, 6 from Logic Table)



DRILLING TEMPLATE

BALLAST AND PHOTOMETRIC SELECTION TABLE

All light sources are clear unless otherwise indicated.

Wattage	Light Source	Ballast Type/Voltage								Photometric Curve No. 35-17 - - - -				
		60Hz				50Hz				IES Distribution Type				
		Multi-volt	120, 208, 240, 277, 480	347, 120X347	220	220	230	240	MC1	SC2	MC2	MC3	FWT	
750	HPS	AH	AH	AH	N/A	N/A	N/A	N/A	N/A	N/A	8979	N/A	8985	
1000	HPS	A	A	A	N/A	N/A	N/A	N/A	N/A	8980	8988	8993	8986	
1000	MH	A,P	A	A	A	A	A	N/A	8981	N/A	N/A	N/A	8982	
1000(BT37)	MH	A,P	A	A	A	A	A	8978	N/A	N/A	N/A	N/A	8987	

NOTE: N/A=Not Available *Not available in 120X347 volt

DATA

Approximate Net Weight	60-70lbs	27-32kgs
Suggested Mounting Height	30-50ft	9-15M
Effective Projected Area:		
No Mounting Arm	2.6sqftmax	0.24sqMmax
With 4in. (103mm) Mounting Arm	3.0sqftmax	0.29sqMmax
With 12in. (305mm) Mounting Arm	3.2sqftmax	0.30sqMmax

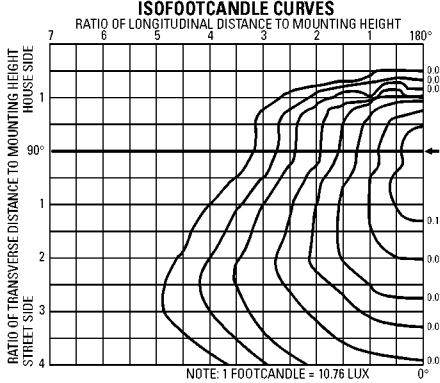
REFERENCES

See GE Lighting Systems Product Catalog for Accessories, Explanation of Options and Other Terms Used, and Pole Selection



PHOTOMETRIC DATA DECASHIELD® 1000 LUMINAIRE

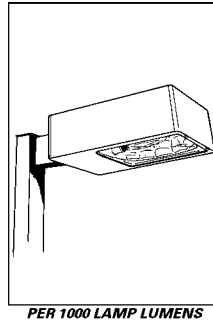
PHOTOMETRIC DATA 35-178986-00



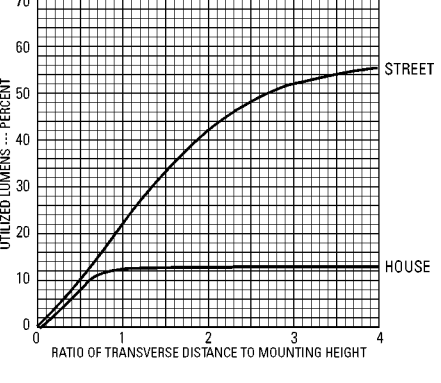
General Electric DECASHIELD 1000 Luminaire
Reflector No. 440208-01, Forward Throw
Refractor Clear Flat Glass, Socket Position Fixed
LAMP-1000 WATT HIGH PRESSURE SODIUM

ANSI TYPE Forward Throw
CIE TYPE Cutoff
MOUNTING HEIGHT 30 FT.
MAX CANDELA 593
MAX CONE 65.0°
MAX VERTICAL PLANE 5.0/355°
MAX CANDELA AT 90° 0
MAX CANDELA AT 80° 86
NADIR FOOTCANDLES 0.1
NADIR CANDELA 138
MULTIPLY ALL LUMEN, CANDELA AND FOOTCANDLE VALUES BY THIS RATIO: RATIO = ACTUAL LAMP LUMENS ÷ 1000

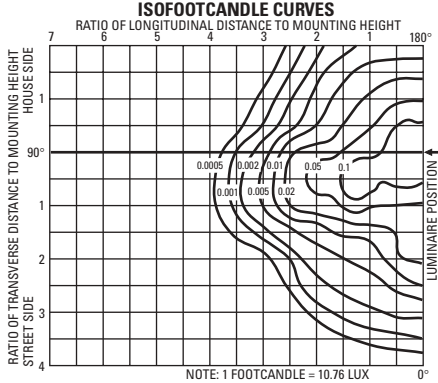
LIGHT FLUX VALUES		
	LUMENS	% OF LAMP
DOWNWARD STREET SIDE	584	58
UPWARD STREET SIDE	0	0
DOWNWARD HOUSE SIDE	130	13
UPWARD HOUSE SIDE	0	0
TOTAL	714	71



UTILIZATION CURVE



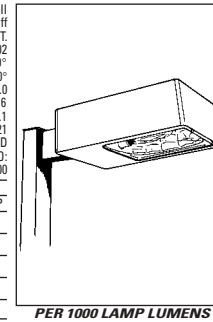
PHOTOMETRIC DATA 35-178981-00



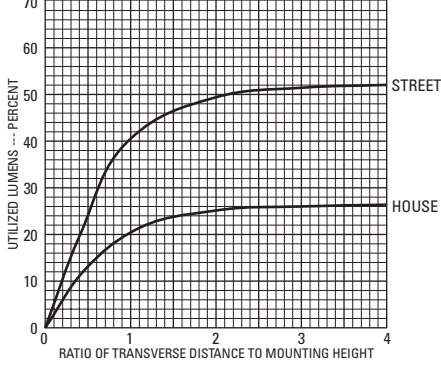
General Electric DECASHIELD 1000 Luminaire
Reflector No. 35-440217-04, Refractor Clear Flat Glass
Socket Position Streetside 3.125 in. Light Center
LAMP - 1000 WATT MERCURY OR METAL HALIDE

ANSI TYPE S-C-II
CIE TYPE Cutoff
MOUNTING HEIGHT 30 FT.
MAX CANDELA 802
MAX CONE 55.0°
MAX VERTICAL PLANE 65.0/295.0°
MAX CANDELA AT 90° 0.0
MAX CANDELA AT 80° 6
NADIR FOOTCANDLES 0.1
NADIR CANDELA 121
MULTIPLY ALL LUMEN, CANDELA AND FOOTCANDLE VALUES BY THIS RATIO: RATIO = ACTUAL LAMP LUMENS ÷ 1000

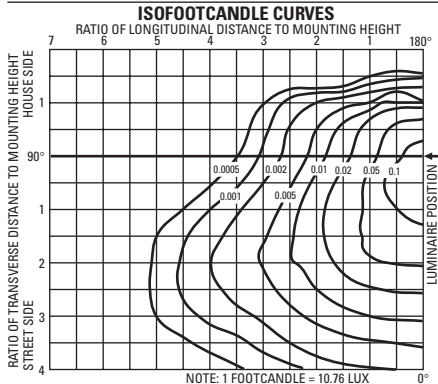
LIGHT FLUX VALUES		
	LUMENS	% OF LAMP
DOWNWARD STREET SIDE	524	52.4
UPWARD STREET SIDE	0	0.0
DOWNWARD HOUSE SIDE	265	26.5
UPWARD HOUSE SIDE	0	0.0
TOTAL	790	79.0



UTILIZATION CURVE



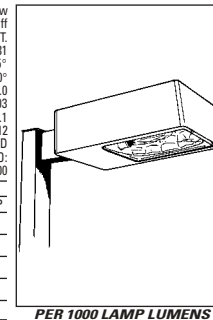
PHOTOMETRIC DATA 35-178982-00



General Electric DECASHIELD 1000 Luminaire
Reflector No. 35-440208-01 Forward Throw,
Refractor Clear Flat Glass, Socket Position Fixed
LAMP - 1000 WATT METAL HALIDE

ANSI TYPE Forward Throw
CIE TYPE Cutoff
MOUNTING HEIGHT 30 FT.
MAX CANDELA 631
MAX CONE 62.5°
MAX VERTICAL PLANE 0.0/360.0°
MAX CANDELA AT 90° 0.0
MAX CANDELA AT 80° 103
NADIR FOOTCANDLES 0.1
NADIR CANDELA 112
MULTIPLY ALL LUMEN, CANDELA AND FOOTCANDLE VALUES BY THIS RATIO: RATIO = ACTUAL LAMP LUMENS ÷ 1000

LIGHT FLUX VALUES		
	LUMENS	% OF LAMP
DOWNWARD STREET SIDE	620	62.0
UPWARD STREET SIDE	0	0.0
DOWNWARD HOUSE SIDE	122	12.2
UPWARD HOUSE SIDE	0	0.0
TOTAL	742	74.2



UTILIZATION CURVE

